

ECMPS Reporting Instructions Emissions

United States Environmental Protection Agency
Office of Air and Radiation
Clean Air Markets Division
1201 Constitution Ave, NW
Washington, DC 20004

March 13, 2024

Table of Contents

| | <u>Page</u> |
|--|-------------|
| 1.0 Introduction: Emissions | 1 |
| 2.0 Emissions | 4 |
| 2.1 SUMMARY VALUE DATA..... | 6 |
| 2.2 DAILY TEST SUMMARY DATA..... | 11 |
| 2.2.1 DAILY CALIBRATION DATA..... | 14 |
| 2.3 WEEKLY TEST SUMMARY DATA | 21 |
| 2.3.1 WEEKLY SYSTEM INTEGRITY DATA..... | 23 |
| 2.4 DAILY EMISSIONS DATA | 25 |
| 2.4.1 DAILY FUEL DATA..... | 27 |
| 2.5 DAILY BACKSTOP DATA | 28 |
| 2.6 HOURLY OPERATING DATA..... | 30 |
| 2.6.1 MONITOR HOURLY VALUE DATA | 37 |
| 2.6.1.1 MATS MONITOR HOURLY VALUE DATA..... | 61 |
| 2.6.2 DERIVED HOURLY VALUE DATA | 66 |
| 2.6.2.1 MATS DERIVED HOURLY VALUE DATA..... | 80 |
| 2.6.3 HOURLY FUEL FLOW DATA..... | 86 |
| 2.6.3.1 HOURLY PARAMETER FUEL FLOW DATA | 92 |
| 2.6.4 HOURLY GFM DATA | 98 |
| 2.7 LONG TERM FUEL FLOW DATA..... | 101 |
| 2.8 SORBENT TRAP DATA | 105 |
| 2.8.1 SAMPLING TRAIN DATA | 110 |
| 2.9 NSPS SUBPART TTTT COMPLIANCE REPORTS | 115 |
| 2.9.1 NSPS4T COMPLIANCE PERIOD DATA | 118 |
| 2.9.2 NSPS4T FOURTH QUARTER DATA | 120 |

List of Tables

| | <u>Page</u> |
|---|-------------|
| Table 1: Parameter Codes and Descriptions for <i>Summary Value Data</i> | 7 |
| Table 2: Precision of Reported Values for <i>Summary Value Data</i> | 8 |
| Table 3: Daily Test Result Code Descriptions | 12 |
| Table 4: Precision of Reported Values for <i>Daily Calibration Data</i> | 18 |
| Table 5: PGVP Gas Type Codes and Descriptions..... | 18 |
| Table 6: Injection Protocol Codes and Descriptions..... | 20 |
| Table 7: Test Result Code Descriptions for Weekly System Integrity Checks..... | 22 |
| Table 8: Load Units of Measure Codes and Descriptions..... | 33 |
| Table 9: Fuel Codes and Descriptions | 36 |
| Table 10: <i>MHV</i> Elements for SO ₂ C or Flow | 37 |
| Table 11: <i>MHV</i> Elements for NO _x C Record (NO _x Rate System Only) | 39 |
| Table 12: <i>MHV</i> Elements for NO _x C Record (NO _x C System) | 39 |
| Table 13: Summary of NO _x <i>Monitor Hourly Value</i> Record Reporting Requirements..... | 41 |
| Table 14: <i>MHV</i> Elements for CO ₂ C | 41 |
| Table 15: <i>MHV</i> Elements for O ₂ C..... | 44 |
| Table 16: <i>MHV</i> Elements for H ₂ O | 48 |
| Table 17: Parameter Codes and Descriptions for the <i>MHV Data Record</i> | 49 |
| Table 18: Precision of Reported Values for <i>Monitor Hourly Value Data</i> | 54 |
| Table 19: MODC Codes and Descriptions for <i>MHV</i> | 54 |
| Table 20: Moisture Basis Codes and Descriptions for <i>MHV</i> | 60 |
| Table 21: <i>MMHV</i> Elements for HGC, HCLC and HFC | 61 |
| Table 22: Parameter Codes and Descriptions for the <i>MMHV Data Record</i> | 62 |
| Table 23: MODC Codes and Descriptions for <i>MMHV</i> | 63 |
| Table 24: Parameter Codes and Descriptions for the <i>DHV Data Record</i> | 69 |
| Table 25: Precision of Reported Values for <i>Derived Hourly Value Data</i> | 73 |
| Table 26: MODC Codes and Descriptions for <i>DHV</i> | 74 |
| Table 27: System ID Reporting for Derived Hourly Values | 76 |
| Table 28: Operating Condition Codes and Descriptions for <i>DHV</i> | 77 |
| Table 29: Fuel Codes and Descriptions..... | 78 |
| Table 30: Parameter Codes and Descriptions for the <i>MDHV Data Record</i> | 82 |
| Table 31: MODC Codes and Descriptions for <i>MDHV</i> | 84 |
| Table 32: Oil Fuel Flow Fuel Codes and Descriptions..... | 87 |
| Table 33: Gas Fuel Flow Fuel Codes and Descriptions..... | 88 |
| Table 34: Volumetric Units of Measure Codes and Descriptions | 89 |
| Table 35: Source of Data Volumetric Codes and Descriptions..... | 90 |
| Table 36: Source of Data Mass Codes and Descriptions | 91 |
| Table 37: Parameter Codes and Descriptions for <i>Hourly Parameter Fuel Flow Data</i> | 93 |
| Table 38: Precision of Reported Values for Parameter Value for Fuel | 94 |
| Table 39: Sample Type Codes and Descriptions..... | 94 |
| Table 40: Operating Condition Codes and Descriptions for <i>Hourly Parameter Fuel Flow</i> | 95 |
| Table 41: Units of Measure Codes and Descriptions for <i>Hourly Parameter Fuel Flow</i> | 97 |
| Table 42: Sampling Rate Units of Measure Codes and Descriptions..... | 100 |
| Table 43: Long Term Fuel Flow UOM Code..... | 103 |
| Table 44: GCV Units of Measure Code | 104 |
| Table 45: MODC Codes for <i>Sorbent Trap Data</i> | 109 |
| Table 46: Sampling Ratio Check Result Codes and Descriptions..... | 113 |

| | |
|--|-----|
| Table 47: Train QA Status Codes and Descriptions | 114 |
| Table 48: CO2 Emissions Standard Codes..... | 116 |
| Table 49: CO2M Emission Rate Units of Measure Code | 117 |

List of Figures

| | <u>Page</u> |
|--|-------------|
| Figure 1: <i>Emissions XML Schema Complex Elements</i> | 3 |
| Figure 2: <i>Emissions XML Elements</i> | 4 |
| Figure 3: <i>Summary Value Data XML Elements</i> | 7 |
| Figure 4: <i>Daily Test Summary Data XML Elements</i> | 11 |
| Figure 5: <i>Daily Calibration Data XML Elements</i> | 15 |
| Figure 6: <i>Weekly Test Summary Data XML Elements</i> | 21 |
| Figure 7: <i>Weekly System Integrity Data XML Elements</i> | 23 |
| Figure 8: <i>Daily Emission Data XML Elements</i> | 25 |
| Figure 9: <i>Daily Fuel Data XML Elements</i> | 27 |
| Figure 10: <i>Daily Backstop Data XML Elements</i> | 28 |
| Figure 11: <i>Hourly Operating Data XML Elements</i> | 31 |
| Figure 12: <i>Monitor Hourly Value Data XML Elements</i> | 49 |
| Figure 13: <i>MATS Monitor Hourly Value Data XML Elements</i> | 62 |
| Figure 14: <i>Derived Hourly Value Data XML Elements</i> | 69 |
| Figure 15: <i>MATS Derived Hourly Value Data XML Elements</i> | 81 |
| Figure 16: <i>Hourly Fuel Flow Data XML Elements</i> | 87 |
| Figure 17: <i>Hourly Parameter Fuel Flow Data XML Elements</i> | 92 |
| Figure 18: <i>Hourly GFM Data XML Elements</i> | 99 |
| Figure 19: <i>Long Term Fuel Flow Data XML Elements</i> | 101 |
| Figure 20: <i>Sorbent Trap Data XML Elements</i> | 105 |
| Figure 21: <i>Sampling Train Data XML Elements</i> | 110 |
| Figure 22: <i>NSPS4T Summary Data XML Elements</i> | 115 |
| Figure 23: <i>NSPS4T Compliance Period Data XML Elements</i> | 118 |
| Figure 24: <i>NSPS4T Fourth Quarter Data XML Elements</i> | 120 |

ECMPS Reporting Instructions

Emissions

1.0 Introduction: Emissions

About This Document

In the Emissions Collection and Monitoring Plan System (ECMPS), data must be submitted to the EPA through the Client Tool using extensible-markup language (XML) format. XML files must contain certain data elements, which are defined in the XML schema. (Note: More information about the ECMPS XML Schemas can be found in the XML Schema Description Documents.)

The purpose of the reporting instructions is to provide the necessary information for owners and operators to meet the reporting requirements for sources affected by:

- 1) The Acid Rain Program (ARP);
- 2) The Cross-State Air Pollution Rule (CSAPR);
- 3) [The Good Neighbor Plan \(GNP\)](#);
- 4) The Mercury and Air Toxic Standards Rule (MATS); and
- 5) Other programs required to report data using these XML schemas.

These instructions explain how to report the required data for the applicable regulations. Owners and operators of units should refer to the applicable regulations for information about what data are required to be reported.

The Emissions XML Schema is made up of a root element, complex elements, and simple elements. A simple element is a single piece of data. A complex element is a group of simple elements which are logically grouped together. The root element is the base of the XML schema.

The elements are related to each other in parent-child relationships. The root element is the parent element of the entire schema. Complex elements are children of the root element, and complex elements can also be children of other complex elements. If a complex element is dependent on a parent complex element, the child complex element cannot be included in the XML file unless the appropriate parent complex element is also included. Figure 1 below illustrates the relationships between the emissions root element and the complex elements.

This document provides instructions on how the required data should be reported using this data structure. For each complex element, this document includes a separate section which includes:

- **Element Overview:** An overview of the kinds of data submitted under the element, including general information not specific to any associated child complex elements or simple elements
- **Element XML Model:** A model diagram of the element and any associated child complex elements or simple elements

- **Element XML Elements:** Instructions for submitting data for each associated simple element
- **Specific Considerations:** Additional considerations, including information that applies to particular types of monitoring plan configurations

About Emissions Data

Emissions data are hourly values for measured parameters, calculated hourly emissions values, instrument calibration data, and aggregated summary data. An emissions file contains one calendar quarter of hourly and aggregate emissions measurements for a specified unit or group of related units, including stacks and pipes.

Each unit that is required to submit emissions data for a particular calendar quarter must be included in one and only one emissions file for that quarter. Each emissions file should contain all relevant operating, daily quality assurance, and emissions data for all units, common stacks, multiple stacks, or common pipes that were in a common monitoring configuration for any part of the quarter.

You must submit an emissions file for each quarter or, for ozone season only reporters, for the second and third calendar quarters of each year.

Rounding Conventions for Reporting Emissions Values

Each emissions value that is reported must be rounded to a specified precision (e.g., a certain number of decimal places or significant digits). The appropriate precision is based on the parameter, fuel type, and/or record type. Because some fields were designed to be generic and support reporting data for different parameters, it is not always appropriate to report values to the precision in the XML format. The appropriate precision for each parameter (and fuel type) can be found in the instructions under each record type.

Use the standard arithmetic rounding convention where numbers five through nine round to the next highest number in the previous decimal position to the left.

For example, when reporting SO₂C, NO_xC, CO₂C, O₂C, or H₂O in the MONITOR HOURLY VALUE DATA (MHV) record, round these values to the nearest 0.1 ppm or 0.1 percent (as applicable). When reporting FLOW, the last significant digit in the reported flow rate values is in the thousands place; fill in zeros in the hundreds, tens, and unit columns (e.g., round 15,922,855 scfh to 15,923,000 scfh). When reporting NO_xR in the DERIVED HOURLY VALUE DATA (DHV) record, round the NO_x emission rate to three decimal places.

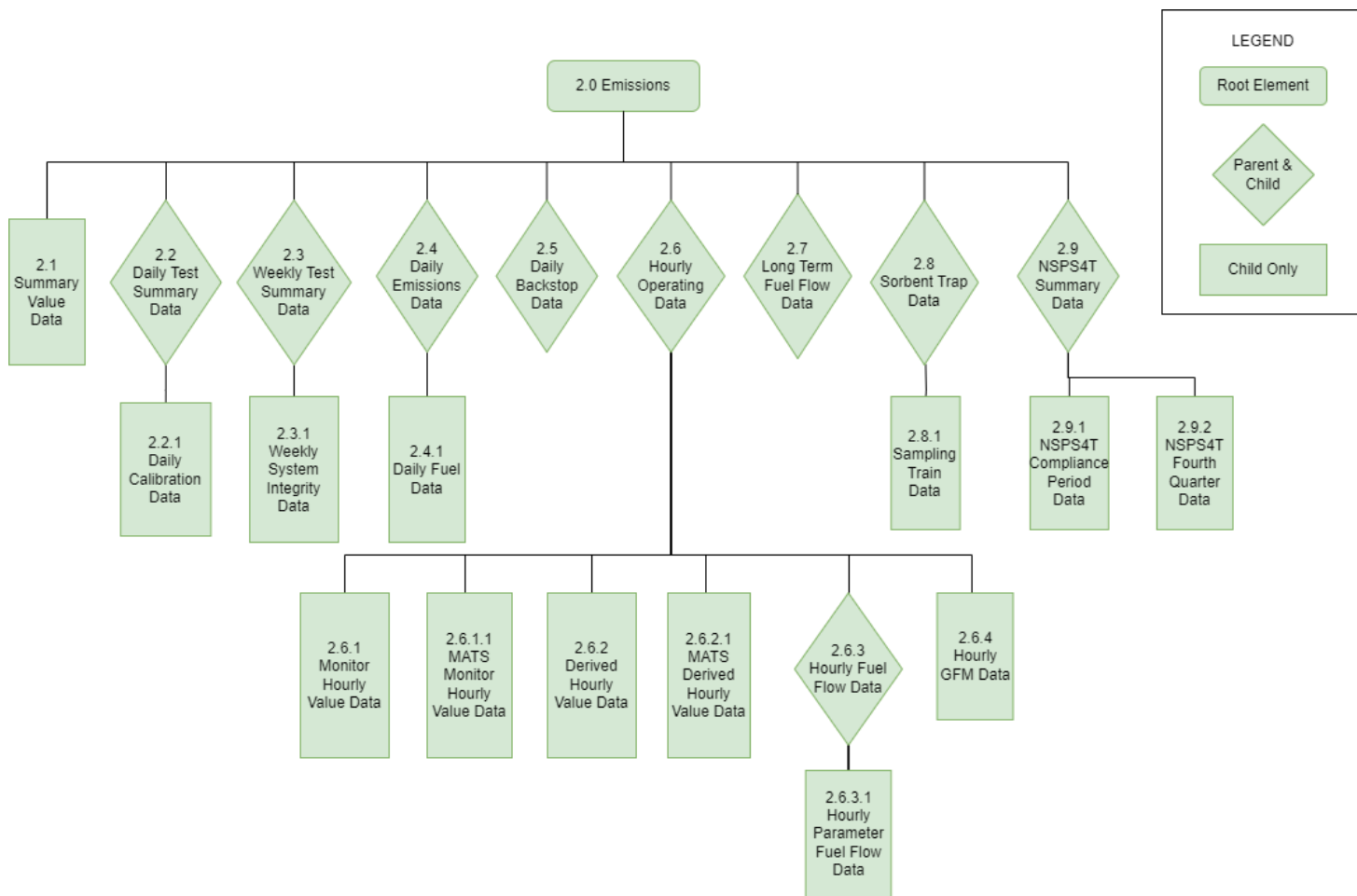
Use of Rounded and Unrounded Values in Emissions Calculations

When performing calculations using any value that is reported in the XML, use the value as it is reported. In other words, use the rounded value in the calculation. However, any value that is calculated in an intermediate equation but is not reported should not be rounded before using it in a subsequent equation.

For example, to calculate the bias-adjusted SO₂ concentration, multiply the UnadjustedHourlyValue in the SO₂C MHV record (which has been reported as a value rounded to one decimal place) by the bias adjustment factor (which has been reported in the RATA as a value rounded to three decimal places), and round the result to one decimal place before reporting this value as the AdjustedHourlyValue in the MHV record. To calculate the hourly SO₂ mass rate in lb/hr using formula F-1, use the AdjustedHourlyValue in the SO₂C MHV record (which has been rounded to one decimal place) and AdjustedHourlyValue in the FLOW MHV record (which has been rounded to the nearest thousand) in the equation, and round the result to one decimal place before reporting this value as the AdjustedHourlyValue in the SO₂ DHV record. When calculating quarterly SO₂ emissions in tons, first multiply the AdjustedHourlyValue in the SO₂ DHV record (which has been rounded to one decimal place) by the OperatingTime (which has been rounded to two decimal places) for every hour. Sum these unrounded products, then divide this unrounded sum by 2,000. Finally, round the result to one decimal place before reporting the quarterly emissions value in SUMMARY VALUE DATA record.

(Note: When the appropriate substitute data value for a particular parameter is the average of the values recorded in the hour before and the hour after the missing data period, you must round off the average value to the appropriate precision for the parameter.)

Figure 1: Emissions XML Schema Complex Elements



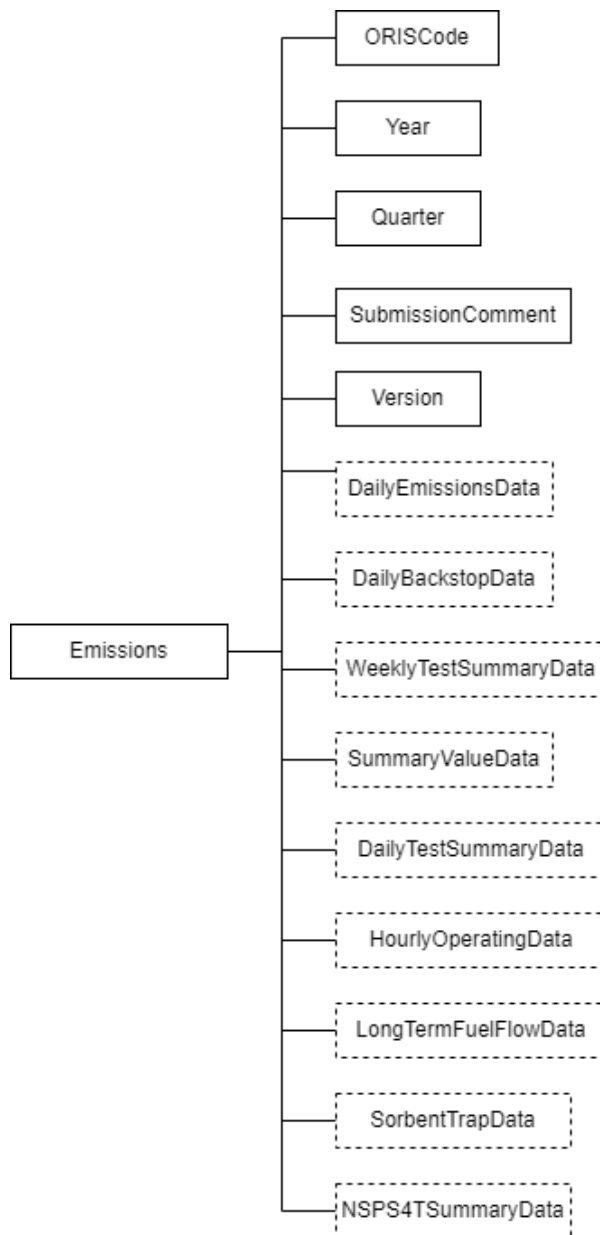
2.0 Emissions

Emissions Overview

The EMISSIONS record is the root element for the Emissions data XML schema. This element identifies the source for which emissions data are being reported. In addition, it provides information about the reporting period for which data are provided by identifying the year and quarter. Include a single EMISSIONS record in each Emissions data file.

Emissions XML Model

Figure 2: Emissions XML Elements



Emissions XML Elements**ORIS Code** (*ORISCode*)

Report the code that indicates the unique identification number given to a source by the Energy Information Administration (EIA).

Year (*Year*)

Report the calendar year represented by the data in the file.

Quarter (*Quarter*)

Report the calendar quarter represented by the data in the file. Be sure that the reported year and quarter are properly matched to the time period of the emissions data.

Submission Comment (*SubmissionComment*)

This field can be used to report additional information or provide an explanation about an event that is specific to the quarterly report. Report the text of the comment in this field.

Version (*Version*)

Report the XML schema version number. Note that this is a numeric field -- do not include a "v" before the number.

2.1 Summary Value Data

Summary Value Data Overview

The SUMMARY VALUE DATA records are used to report aggregated quarterly values for the parameters included in the emissions submission file and cumulative values for the year and/or ozone season that are the required under Part 75. Summary values are reported by monitoring location and parameter on basis of the current reporting period, year-to-date, and, if relevant, ozone season-to-date sums (or averages). For each monitoring location in the file, report a SUMMARY VALUE DATA record for operating time and another for operating hours. Also report a SUMMARY VALUE DATA record for each parameter measured or calculated at that location to meet a regulatory requirement. See Table 1 below for applicable parameters.

For units required to report heat input (HI), you must include for each unit a SUMMARY VALUE DATA record for HI whether the HI was actually measured at the unit level or apportioned (or summed) from another location or multiple locations.

For units required to report NO_x mass emissions (NOX) under subpart GGGGG of 40 CFR Part 97, you must include for each unit a SUMMARY VALUE DATA record for NOXM whether the NOX was actually measured at the unit level or apportioned from a common stack.

Sources are not required to report quarterly or cumulative values for any MATS affected pollutants.

Common Stacks or Pipes

The reporting period and cumulative heat input values for the stack or pipe (in mmBtu) must equal the sum of the HIs for the units associated with the stack or pipe. For the individual units, report SUMMARY VALUE DATA records only for HI, operating time, and operating hours, unless reporting NO_x mass emissions under subpart GGGGG of 40 CFR Part 97 (see the “Summary Value Data Overview” section, above). Do not apportion SO₂ mass emissions, CO₂ mass emissions, or average NO_x emission rates to the individual units.

Multiple Stacks or Pipes

For these configurations, report only the reporting period and cumulative HI, operating time, operating hours, and weighted average NO_x emission rates in the unit-level SUMMARY VALUE DATA records. Do not report quarterly and cumulative SO₂ or CO₂ mass emissions at the unit level. The reported quarterly or cumulative HI value for the unit must equal the sum of the corresponding HI values reported for the individual stacks, ducts, or pipes.

Complex Stack Configurations

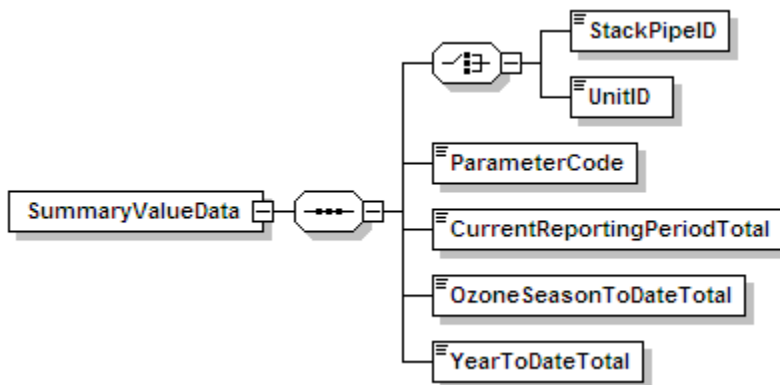
A complex stack configuration exists where a unit's emissions are measured at more than one stack location and where at least one of these stack locations is a common stack shared with one or more other units.

For the purposes of quarterly and cumulative HI accounting, the sum of the HIs for all units associated with all stacks in a complex configuration must equal the sum of the stack HIs for all of the stacks. For example, if emissions from scrubbed Units 1, 2, and 3 are measured at CS1 during normal unit operation and are measured at CS2 during scrubber bypass hours, the sum of the HIs for Units 1, 2, and 3 must equal the sum of the HIs for CS1 and CS2.

See “Specific Considerations” below for information about how to calculate summary values.

Summary Value Data XML Model

Figure 3: Summary Value Data XML Elements



Summary Value Data XML Elements

Unit ID or Stack Pipe ID (*UnitID or StackPipeID*)

Report either the Unit ID or Stack Pipe ID that corresponds to the summary data value location. This is the alphanumeric code assigned by a source to identify a unit, stack, or pipe.

Parameter Code (*ParameterCode*)

Report the Parameter Code for the parameter summarized by this SUMMARY VALUE DATA record. Use the appropriate uppercase code as shown in Table 1.

Table 1: Parameter Codes and Descriptions for Summary Value Data

| Code | Description |
|---------|--|
| BCO2 | Biogenic CO ₂ Mass (tons) (Only for RGGI affected units) |
| CO2M | Carbon Dioxide Mass (tons) |
| HIT | Heat Input Total (mmBtu) |
| NOXM | Nitrogen Oxide Mass (tons) |
| NOXR | Nitrogen Oxide Rate (lb/mmBtu) |
| OPTIME | Operating Time (hr) |
| OPHOURS | Number of Operating Hours |
| SO2M | Sulfur Dioxide Mass (tons) |

Current Reporting Period Total (*CurrentReportingPeriodTotal*)

Report the cumulative parameter value (i.e., emissions or time) as measured from the beginning of the current reporting period to the end of the current reporting period. This will generally be

the quarterly total (or average), except for the second calendar quarter file for ozone season only reporters. For those files, this value is the total (or average) for just May and June. The value should be rounded to the number of decimal places according to Table 2. If there was no operation at this location during the reporting period, report zero.

Ozone Season to Date Total (*OzoneSeasonToDateTotal*)

For locations subject to ozone season only programs, report the cumulative parameter value (i.e., emissions or time) for the ozone season as follows: For a first quarter report, leave this field blank. For a second quarter report, report the sum parameter value (i.e., emissions or time) from the beginning of the ozone season (May 1) to the end of the reporting period. For a third quarter report, report the sum of the Ozone Season to Date Total value reported in the second quarter plus the quarterly value for the parameter reported for the third quarter. For a fourth quarter report, report the Ozone Season to date total from the third quarter report. All values should be rounded to the number of decimal places according to Table 2. If there was no operation at this location during the ozone season, report zero. For locations not subject to ozone season only programs, leave this field blank.

Year to Date Total (*YearToDateTotal*)

For locations that report year-round, report the cumulative sum of current year quarterly totals for each parameter value (i.e., emissions or time) as follows: For a first quarter report, report the sum parameter value (i.e., emissions or time) for the quarter. For subsequent quarters, report the sum of the current reporting period plus the quarterly values for the parameter reported in the previous quarters. For example, the Year to Date total for quarter three would be calculated by summing the current quarter three reporting period value with the previously reported quarter one and quarter two values. The value should be rounded to the number of decimal places according to Table 2. If there was no operation at this location during the calendar year-to-date, report zero. For ozone season only reporters, leave this field blank.

Table 2: Precision of Reported Values for Summary Value Data

| Parameter Codes | Number of Decimal Places |
|------------------------|--------------------------|
| CO2M, NOXM, SO2M, BCO2 | One |
| OPTIME | Two |
| NOXR | Three |
| HIT | Zero |

Specific Considerations

Operating Time and Operating Hours

Operating Time is the sum of the hourly OperatingTime in HOURLY OPERATING DATA records. Operating Hours is a count of HOURLY OPERATING DATA records with OperatingTime greater than zero.

SO2M, NOXM, HIT, and CO2M from Hourly Data

- For non-Low Mass Emissions (LME) locations, to calculate Reporting Period, Year to Date, and Ozone Season to Date totals for SO2M, and NOXM, multiply each hourly rate

value reported in the DERIVED HOURLY VALUE record by the corresponding operating time in the HOURLY OPERATING record, sum those values, and then divide by 2,000. Round the resulting sum to the appropriate number of decimal places per Table 2. For CO2M, follow the same procedure but do not divide by 2,000.

- For LME units, to calculate Reporting Period, Year to Date, and Ozone Season to Date totals for SO2M, NOXM, and HIT, sum the values in the DERIVED HOURLY VALUE records and divide the total SO2M and NOXM by 2,000 to determine total tons for each respective period (i.e. calendar quarter, Year to Date and Ozone Season). Round the resulting sum to the appropriate number of decimal places per Table 2. For CO2M, follow the same procedure but do not divide by 2,000.
- If a common fuel pipe (or supply tank) serves a group of LME units and the long-term fuel flow option is used to quantify heat input, report the cumulative heat input for the group of units under the common pipe (or tank) ID. If more than one common pipe (or tank) serves the same group of LME units, report a separate SUMMARY VALUE DATA record for Total Heat Input (HIT) for each pipe (or tank).

CO2M from Daily Data

If CO₂ mass is calculated on a daily basis and reported in the DAILY EMISSIONS DATA record, calculate Reporting Period, Year to Date, and Ozone Season to Date for CO2M by summing the values in these records. Round the resulting sum to the appropriate number of decimal places per Table 2.

NO_x Emission Rate

- For non-Acid Rain units, do not report a SUMMARY VALUE DATA record for NOXR, even if the NO_x emission rate is calculated on an hourly basis for the purpose of determining NO_x mass rate (lb/hr).
- For single unit or monitored common stack configurations, calculate each summary NO_x emission rate as a straight arithmetic average of the NO_x emission rates for all operating hours in the reporting period, ozone season, or year-to-date period, as reported in the DERIVED HOURLY VALUE DATA. If the recorded NO_x emission rate is zero, include these hours in the average only if the operating time for the hour is greater than zero.
- Do not weight the quarterly or cumulative average NO_x emission rate for partial operating hours (i.e., count all hourly NO_x emission rates equally, irrespective of the unit operating time). Report both the quarterly and cumulative average NO_x emission rates for the unit or stack to three decimal places.
- For simple multiple stack or multiple duct configurations in which NO_x emissions and heat input are monitored separately in each of the stacks or ducts, you must calculate and report the quarterly and cumulative arithmetic average NO_x emission rate for each stack or duct, and you must also calculate and report a quarterly and cumulative heat input-weighted NO_x emission rate for the unit. Determine the heat input-weighted averages for the unit as follows. First, use the reported hourly data (i.e., stack level NO_x emission and heat input rates) and the following formula to calculate a heat input-weighted unit NO_x emission rate for each stack operating hour in the quarter:

$$\text{Hourly Unit NO}_x \text{ Emission Rate (lb/mmBtu)} = \frac{(\text{NO}_x \text{ Rate})_A(\text{Heat Input})_A + (\text{NO}_x \text{ Rate})_B(\text{Heat Input})_B}{(\text{Heat Input})_A + (\text{Heat Input})_B}$$

- In the formula above, the term “Heat Input” for multiple stack A or B is the product of the hourly HI rate for the stack and the corresponding operating time for the stack.
- When a multiple-stack configuration is selected for a combined-cycle combustion turbine (CT) that: (a) uses the provisions of Appendix D to Part 75 for unit HI; and (b) has a main stack and bypass stack configuration; and (c) has NO_x-diluent monitoring systems on both the main and bypass stacks, the mathematics are slightly different. In this case, for any unit operating hour in which gases flow through both stacks for any part of the hour, a time-weighted, rather than a heat-input-weighted unit-level NO_x emission rate is calculated, using an equation similar to the one above, except that the terms “(Heat Input)A” and “(Heat Input)B” are replaced with tA and tB, respectively, where tA and tB are the main stack operating time and bypass stack operating time, respectively. The time-weighted hourly average NO_x emission rates are then used to determine the quarterly and cumulative NO_x emission rates for the unit.
- The quarterly heat input-weighted average NO_x emission rate for the unit is then determined by taking the sum of all of the hourly heat input-weighted NO_x emission rates for the quarter and dividing this sum by the total number of unit operating hours in the quarter. In determining the number of unit operating hours in the quarter, each partial operating hour is counted as a full hour of unit operation. The cumulative heat input-weighted average NO_x emission rate for the unit is determined in the same way as the quarterly average for the unit, except that the terms “for the quarter” and “in the quarter” are replaced, respectively, with the terms, “for the year, to date” and “in the year, to date.”
- For Acid Rain Program (ARP) LME units, determine the quarterly average NO_x emission rate for each unit as follows: Sum all of the hourly NO_x mass values from the DERIVED HOURLY VALUE records for NO_x to get the total NO_x mass for the quarter. Then, sum the hourly HI values from the DERIVED HOURLY VALUE records for HI to obtain the HIT for the quarter. Divide the total NO_x mass for the quarter by the total quarterly HI, to determine the quarterly NO_x emission rate in lb/mmBtu. Calculate the cumulative (year-to-date) NO_x emission rate by separately summing the hourly NO_x mass and HI values over all operating hours in all quarters, and then dividing the NO_x mass sum by the HI sum.

2.2 Daily Test Summary Data

Daily Test Summary Data Overview

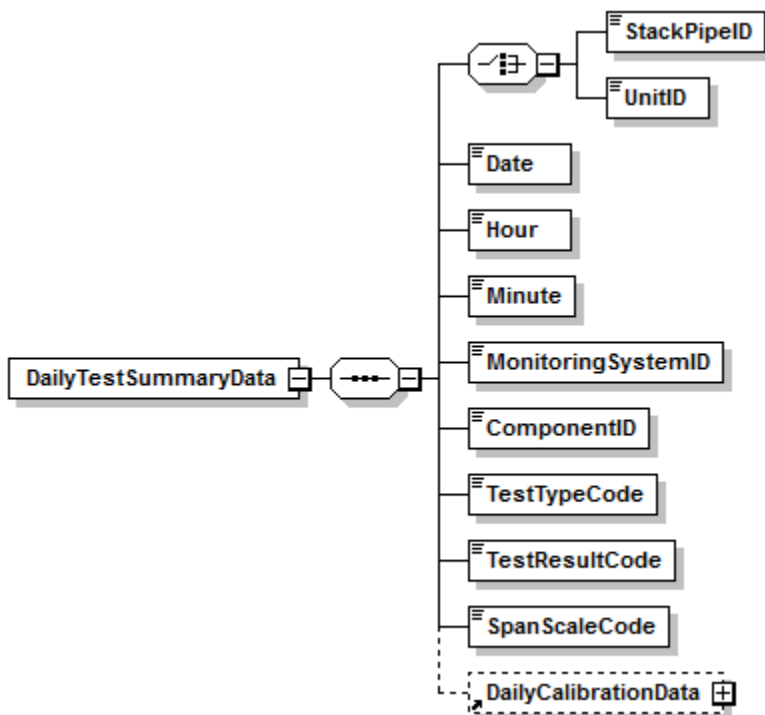
The DAILY TEST SUMMARY DATA record summarizes the completion date and time and the results (Passed/Failed/Aborted) for each daily calibration error test and flow interference check. For each calibration error test, report the calibration test data in the DAILY CALIBRATION DATA record (see instructions for that record below). Also use the DAILY TEST SUMMARY DATA record to report the results of the daily Predictive Emissions Monitoring System (PEMS) calibration for units with an approved PEMS monitoring method.

Report the results of all failed, passing, and incomplete calibrations that affect data validation. For redundant backup monitors, the results of daily calibration error tests need not be reported except on days when using the monitors to report emissions data.

Do not report the results of off-line calibrations performed during periods of non-operation of the unit or stack unless the unit has passed the off-line calibration demonstration and is using off-line calibrations to validate data. The off-line calibration demonstration provision only applies to CEMS data monitored under Part 75.

Daily Test Summary Data XML Model

Figure 4: Daily Test Summary Data XML Elements



Daily Test Summary Data XML Elements**Unit ID or Stack Pipe ID** (*UnitID or StackPipeID*)

Report either the Unit ID or Stack Pipe ID for the daily test location. This is the alphanumeric code assigned by a source to identify a unit or stack.

Date (*Date*)

For daily calibrations, report the date corresponding to the completion of the last gas injection of the test. For interference checks, report the date on which the test was completed.

Hour (*Hour*)

For daily calibrations, report the hour corresponding to the completion of the last gas injection of the test. For interference checks, report the hour in which the test was completed.

Minute (*Minute*)

For daily calibrations, report the minute corresponding to the completion of the last gas injection of the test. For interference checks, report the minute in which the test was completed.

Monitoring System ID (*MonitoringSystemID*)

If this is a PEMS Calibration test, report the three-character Monitoring System ID for the NOXP system. Leave this field blank for other parameters.

Component ID (*ComponentID*)

Report the three-character ID assigned to the component. Leave this field blank for PEMSCAL.

Test Type Code (*TestTypeCode*)

Report the test type code as DAYCAL for a daily calibration test summary record, or as INTCHK for an interference check. For units with an approved PEMS methodology, report the test type code as PEMSCAL for daily PEMS calibration tests.

Test Result Code (*TestResultCode*)

Report the test result code as PASSED, PASSAPS, FAILED, INC, or ABORTED. See detailed descriptions of each code in Table 3.

Table 3: Daily Test Result Code Descriptions

| Code | Description |
|-------------|---|
| PASSED | Report this code whenever the standard performance specification is met for the test. For daily calibration error tests, report the test as passed only if the zero and upscale-level calibration error test injections each pass the standard performance specification in sequence. Partial calibrations, where only one injection level is completed and passes the performance specification, may not be reported as "PASSED." Rather, these may either be omitted from the electronic report or reported as "INC." |
| PASSAPS | This code applies to daily calibration tests only. Report this code whenever the standard performance specification is not met for one or both injections, but the alternative performance specification (as described in Part 75, Appendix B, Section 2.1.4(a) or in Appendix A to 40 CFR Part 63, Subpart UUUUU (as applicable)) is met for whichever injections did not meet the standard specification. |

| Code | Description |
|---------|--|
| FAILED | Report this code whenever the applicable performance specification is not met for the test. For daily calibration error tests, report the test as failed whenever either the zero-level calibration error test or upscale-level calibration error test (or both) cannot meet either the applicable standard or alternative performance specification. Data for the systems associated with the specified component will be considered invalid until a subsequent retest is passed. |
| INC | Report this code whenever a calibration error test is not completed at both required calibration levels and the completed calibration injection passes the applicable performance specification tests. Incomplete tests have no effect on data validation and do not satisfy the daily calibration requirements of Part 75 or Part 63, Subpart UUUUU. |
| ABORTED | Report this code whenever a test is aborted due to a malfunction of the monitoring system. Data for the systems associated with the specified component will be considered invalid until a subsequent retest is passed. Partial calibrations, where only one injection level is completed and failed, must be reported as "FAILED." |

Span Scale Code (*SpanScaleCode*)

For Daily Calibration tests, report whether the component or the range of the instrument tested is high (H) or low (L) scale (If the component is a single range and no default high range is in use, enter "H"). Report a span scale of high (H) for Hg and HCl monitor components. Do not report a span scale code for flow monitor components.

2.2.1 Daily Calibration Data

Daily Calibration Data Overview

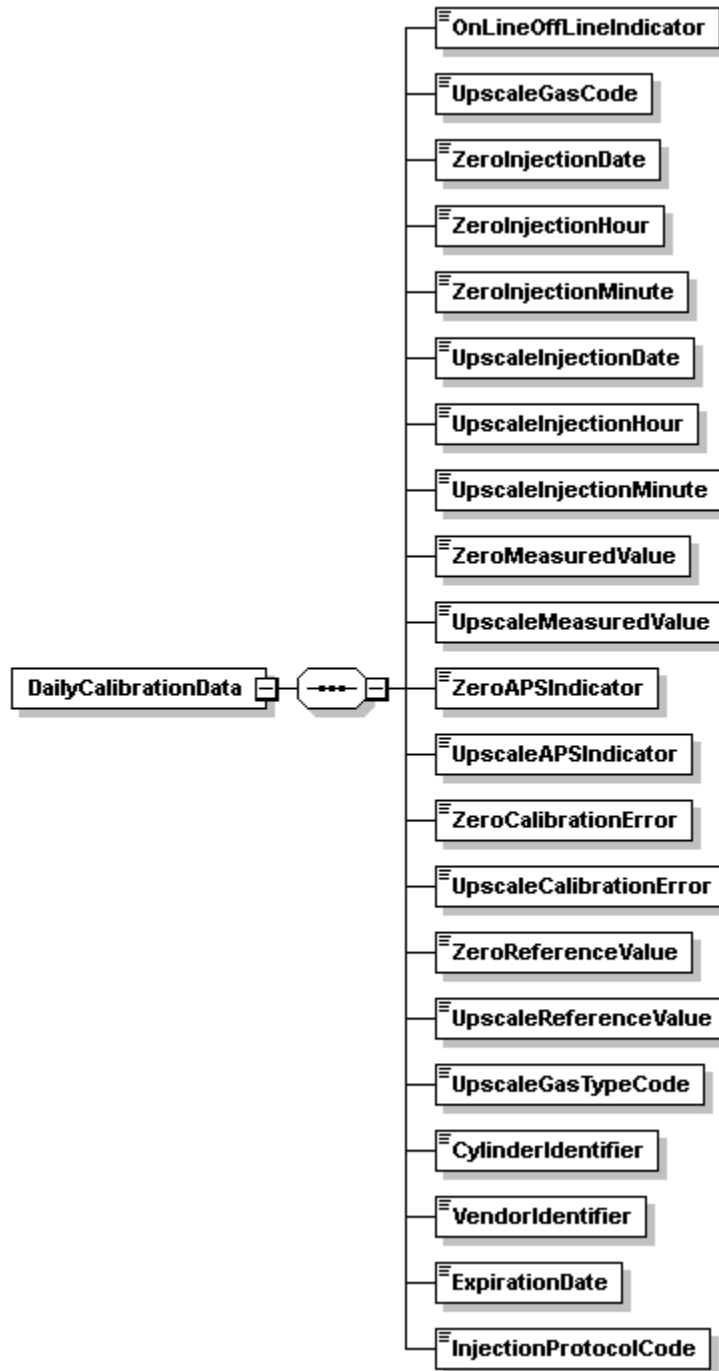
The DAILY CALIBRATION DATA record is used to report the details of each daily calibration error test sequence completed. You must report a DAILY CALIBRATION DATA record for each calibration error test performed that affects data validation. A complete DAILY CALIBRATION DATA record should contain data for both the zero and upscale calibration point.

Partial calibration error tests (where the tested level passes the applicable specification) do not satisfy the daily calibration error requirements and are not required to be reported since they have no effect on data validation. If such calibrations are included in the emissions report, then report the result as “INC” in the DAILY TEST SUMMARY DATA record. Partial calibration error tests where the tested level fails to meet the applicable specification must be reported as an “ABORTED” test. You are not required to report additional failed calibration tests for a component when the data from that component is already considered invalid due to a previously failed calibration error test. However, please note that tests reported as “FAILED” should be reported with all the necessary fields completed. Daily calibration error tests conducted with expired gas cylinders, gas cylinders obtained from a vendor not participating in the PGVP program, or gas cylinders containing concentrations outside the required percentage of the Monitoring Span Value record are considered invalid and should not be reported.

For more information concerning this record regarding moisture monitoring systems, flow monitors, maintenance procedures, or dual range analyzers, see the “Specific Considerations” section below.

Daily Calibration Data XML Model

Figure 5: Daily Calibration Data XML Elements



Daily Calibration Data XML Elements

OnLine OffLine Indicator (*OnLineOffLineIndicator*)

Indicate whether this daily calibration was performed online (report “1”) or offline (report “0”). For Hg and HCl CEMS, all calibrations prior to September 9, 2020 must be done online. On and after September 9, 2020 Hg daily calibrations may be performed offline.

Upscale Gas Code (*UpscaleGasCode*)

Indicate whether the gas used for the upscale injection is high-level or mid-level by reporting the appropriate code (HIGH or MID). Mid-level gas injections may be performed and reported in lieu of the high-level injections, provided that the mid-level (MID) gas is more representative of the actual stack emissions. If the daily calibration was not completed and there was no upscale-level injection, leave this field blank.

Zero Injection Date (*ZeroInjectionDate*)

Report the date of the completion of the zero gas injection. If the daily calibration was not completed and there was no zero-level injection, leave this field blank.

Zero Injection Hour (*ZeroInjectionHour*)

Report the hour of the completion of the zero gas injection. If the daily calibration was not completed and there was no zero-level injection, leave this field blank.

Zero Injection Minute (*ZeroInjectionMinute*)

Report the minute of the completion of the zero gas injection. If the daily calibration was not completed and there was no zero-level injection, leave this field blank.

Upscale Injection Date (*UpscaleInjectionDate*)

Report the date of the completion of the upscale gas injection. If the daily calibration was not completed and there was no upscale-level injection, leave this field blank.

Upscale Injection Hour (*UpscaleInjectionHour*)

Report the hour of the completion of the gas injection. If the daily calibration was not completed and there was no upscale-level injection, leave this field blank.

Upscale Injection Minute (*UpscaleInjectionMinute*)

Report the minute of the completion of the upscale gas injection. If the daily calibration was not completed and there was no upscale-level injection, leave this field blank.

Zero Measured Value (*ZeroMeasuredValue*)

Report the value measured by the instrument in response to the reference following the gas injection or reference signal. Report this value in calibration span units of measure. For all monitors except flow, the units (and decimal precision) should match the hourly reporting. For example, for SO₂, report concentration in ppm and round the resulting value to the appropriate number of decimal places in Table 4. For flow, use the calibration units of measure defined in the Monitoring SPAN VALUE record and round the resulting value to the appropriate number of decimal places per Table 4.

If the daily calibration was not completed and there was no zero-level injection, leave this field blank.

Upscale Measured Value (*UpscaleMeasuredValue*)

Report the value measured by the instrument in response to the reference following the gas injection or reference signal. Report this value in calibration span units of measure. For all monitors except flow, the units (and decimal precision) should match the hourly reporting. For example, for SO₂, report concentration in ppm and round the resulting value to the appropriate

number of decimal places per Table 4. For flow, use the calibration units of measure defined in the Monitoring SPAN VALUE record and round the resulting value to the appropriate number of decimal places per Table 4.

If the daily calibration was not completed and there was no upscale-level injection, leave this field blank.

Zero APS Indicator (*ZeroAPSIndicator*)

If the zero injection result is determined using a standard calibration error (CE) specification, report “0.” If the alternative performance specification is used, report “1,” as allowed under Part 75 or (for Hg and HCl) under 40 CFR Part 63, Subpart UUUUU. If the daily calibration is not completed and there was no zero level injection, leave this field blank.

Upscale APS Indicator (*UpscaleAPSIndicator*)

If the upscale injection result is determined using a standard CE specification, report “0.” If the alternative performance specification is used, report “1,” as allowed under Part 75 or (for Hg and HCl) under 40 CFR Part 63, Subpart UUUUU. If the daily calibration was not completed and there was no upscale-level injection, leave this field blank.

Zero Calibration Error (*ZeroCalibrationError*)

Report the calibration error results of the zero-level injection, as required by Part 75 or (for Hg and HCl) according to 40 CFR Part 63, Subpart UUUUU (see the UpscaleCalibrationError element description for further instructions). If the daily calibration was not completed and there was no zero-level injection, leave this field blank.

Upscale Calibration Error (*UpscaleCalibrationError*)

Report the calibration error results of the upscale injection, as required by Part 75 or (for Hg and HCl) according to 40 CFR Part 63, Subpart UUUUU. For SO₂, Hg, NO_x, and flow monitors, express the results either as a percentage of the span value or (for low-emitters of SO₂, Hg, or NO_x, or for low-span differential pressure-type flow monitors) as the absolute value of the difference between the reference and measured values (i.e., |R - A|). For CO₂ and O₂ monitors, the results are always determined using |R - A| and are expressed in terms of absolute percent CO₂ or O₂. Use this method for all diluent gas monitors used for CO₂ reporting and/or NO_x reporting and/or MATS reporting. For all parameters, except for low-span differential pressure-type flow monitors using the alternative specification, report the calibration error (or |R - A|) to one decimal place. When a low-span differential pressure-type flow monitor uses the alternative specification because the standard specification was not met, the |R - A| value must be reported to two decimal places. If the daily calibration was not completed and there was no upscale-level injection, leave this field blank.

If the calculated calibration error meets the standard performance specification, report the result as a percentage of the span value even though the result would also pass the alternative specification. Only when the result does not pass the standard specification, but meets the alternative specification, should |R - A| be reported. If the test does not pass either specification, report the calibration error as a percentage of the span value.

Zero Reference Value (*ZeroReferenceValue*)

Report the calibration gas or reference signal value used in this injection. Report the certified value of the reference calibration gas, in ppm for SO₂, HCl, and NO_x, in µg/scm for Hg, or in

%CO₂ or %O₂ for CO₂ and O₂. Report the value of the reference signal in the appropriate units, for flow monitors. Report the value to the precision defined in Table 4. If the daily calibration was not completed and there was no zero-level injection, leave this field blank.

Upscale Reference Value (*UpscaleReferenceValue*)

Report the calibration gas or reference signal value used in this injection. Report the certified value of the reference calibration gas, in ppm for SO₂, HCl, and NO_x, in µg/scm for Hg, or in %CO₂ or %O₂ for CO₂ and O₂. Report the value of the reference signal in the appropriate units for flow monitors. Report the value to the precision defined in Table 4. If the daily calibration was not completed and there was no upscale-level injection, leave this field blank.

Table 4: Precision of Reported Values for Daily Calibration Data

| Parameter Codes | Required Precision |
|---------------------------------|--------------------------------|
| CO2, H2O, NOX, O2, SO2, HG, HCL | One Decimal Place |
| FLOW | Same as Calibration Span Value |

Upscale Gas Type Code (*UpscaleGasTypeCode*)

For SO₂, NO_x, CO₂, and O₂ components, report one or more of the gas type codes in Table 5 to indicate the type of gas in the cylinder used for the upscale injection. Note: If you use a component that is not present in this table, you may report a value of “APPVD,” but you will need to contact EPA before submitting the data in order to get permission to use this code. Leave this field blank if the Component Type Code is FLOW, HG, HCl or H₂O.

Table 5: PGVP Gas Type Codes and Descriptions

| Code | Description |
|------|---|
| SO2 | EPA Protocol Certified Gas Component SO ₂ |
| NO | EPA Protocol Certified Gas Component NO |
| NO2 | EPA Protocol Certified Gas Component NO ₂ |
| NOX | EPA Protocol Certified Gas Component Total Oxides of Nitrogen |
| N2O | EPA Protocol Certified Gas Component Nitrous Oxide |
| CO2 | EPA Protocol Certified Gas Component CO ₂ |
| CO | EPA Protocol Certified Gas Component CO |
| O2 | EPA Protocol Certified Gas Component O ₂ |
| PPN | EPA Protocol Certified Gas Component Propane |
| CH4 | EPA Protocol Certified Gas Component Methane |
| HE | EPA Protocol Certified Gas Component Helium |
| H2S | EPA Protocol Certified Gas Component Hydrogen Sulfide |
| BALA | Balance Gas is Air |
| BALN | Balance Gas is Nitrogen |

| Code | Description |
|-------|--|
| APPVD | Other EPA-approved EPA Protocol gas blend (see note below). Do not report certified components when using this code. |
| AIR | Zero Air Material (instrument air with no cylinder and meeting the requirements of paragraphs (2) or (3) of the ZAM definition in § 72.2). This code is reported only when it is used as a high-level O ₂ gas for an oxygen analyzer. Do not report AIR when used to zero an analyzer. Do not report certified components when using this code. |
| SRM | Standard reference material. Do not report certified components when using this code. |
| NTRM | NIST-traceable reference material. Do not report certified components when using this code. |
| GMIS | Gas manufacturer's intermediate standard. Do not report certified components when using this code. |
| RGM | Research gas mixture. Do not report certified components when using this code. |
| PRM | SRM-equivalent compressed gas primary reference material. Do not report certified components when using this code. |
| ZERO | Zero gas (meeting the definition of "Zero Air Material" in §72.2) used for the low level calibration of a reference analyzer used in RATA testing. Do not report certified components when using this code. |

Note: If you use a gas component or material that is not present in this table, you may report a value of "APPVD," but you will need to contact your EPA/CAMD/EMB analyst before submitting the data in order to get permission to use this code.

Cylinder Identifier (*CylinderIdentifier*)

For SO₂, NO_x, CO₂, and O₂ components, report the vendor-assigned identification or serial number found on the cylinder used for the upscale injection. Use only capitalized alphanumeric characters, hyphens, periods, and ampersands. In order to import a file with an ampersand successfully, the ampersand will need to be escaped within the XML. For example, to report the Cylinder ID <AB01234567&>, the XML would read <AB01234567&>. Leave this field blank if the Component Type Code is FLOW, HCL, HG, or H₂O.

Vendor Identifier (*VendorIdentifier*)

For an EPA Protocol gas, report the EPA-assigned PGVP Vendor ID of the production site that supplied the cylinder used for the upscale injection. PGVP Vendor IDs are year specific, therefore report the assigned PGVP Vendor ID that is applicable on the date the cylinder is certified. An up-to-date list of PGVP Vendor IDs is located on the EPA website, and can be accessed via the ECMPS Support website. Leave this field blank if the Component Type Code is FLOW, HCL, HG, or H₂O or if the Gas Type Code is AIR, SRM, NTRM, GMIS, RGM, or PRM.

Expiration Date (*ExpirationDate*)

For an EPA Protocol gas, SRM, NTRM, GMIS, RGM, or PRM, report the expiration date of the cylinder used for the upscale injection. Leave this field blank if the Component Type Code is FLOW, HCL, HG, or H₂O or if the Gas Type Code is AIR.

Injection Protocol Code (*InjectionProtocolCode*)

Report this code to indicate the use of either elemental or oxidized NIST-traceable Hg standards.

Table 6: Injection Protocol Codes and Descriptions

| Code | Description |
|------|---|
| HGE | <i>NIST-Traceable Elemental Hg Standards</i> as defined in Section 3.1.4, Part 63, Subpart UUUUU, Appendix A. |
| HGO | <i>NIST-Traceable Source of Oxidized Hg</i> as defined in Section 3.1.5, Part 63, Subpart UUUUU, Appendix A. |

Specific Considerations

Maintenance Procedures

During maintenance procedures, the calibration gas injections used during those procedures do not have to be reported if the results of the calibration gas injection do not indicate that the control status of the monitor has changed. For instance, if a monitoring system is already out-of-control and calibration gases are injected as part of the maintenance procedures, the results of these injections do not have to be reported. Only the results of the post-maintenance calibration error test which is used to validate the subsequent emissions data must be reported. Similarly, if as part of a maintenance procedure on one monitor, calibration gases must be injected into other monitors, the results of these injections do not have to be reported as long as they are within the calibration error specification. If the results of these injections indicate that any monitoring system is out-of-control, these injections must be reported and considered to be a failed calibration error test.

Components Belonging to Multiple Systems

If a component is part of two (or more) systems (for example, a CO₂ analyzer used both as a primary CO₂ monitor and as a diluent monitor in a NO_x-diluent monitoring system) the calibration error test should only be reported once, using the component ID. Data validation for each monitoring system of which the component is part will be determined based on this single test record.

Moisture Monitoring Systems

For moisture monitoring systems consisting of wet- and dry-basis O₂ monitors, report two calibrations only if the wet and dry readings are obtained from two different analyzers. Report only the dry-basis O₂ calibration when a single analyzer is used for both wet and dry oxygen.

Flow Monitoring Systems

For flow monitoring systems comprised of two flow components, perform and report a daily calibration for each flow component in the system.

Dual Range Monitors

For dual range monitors, perform and report daily calibrations for the instrument range(s) used during the day.

Provisions for Conducting Daily Calibration

Conduct the daily calibration according to the requirements of 40 CFR Part 75, Appendices A and B or (if applicable) 40 CFR Part 63, Subpart UUUUU. Daily calibrations validate the acceptability of emissions data from each monitoring component.

2.3 Weekly Test Summary Data

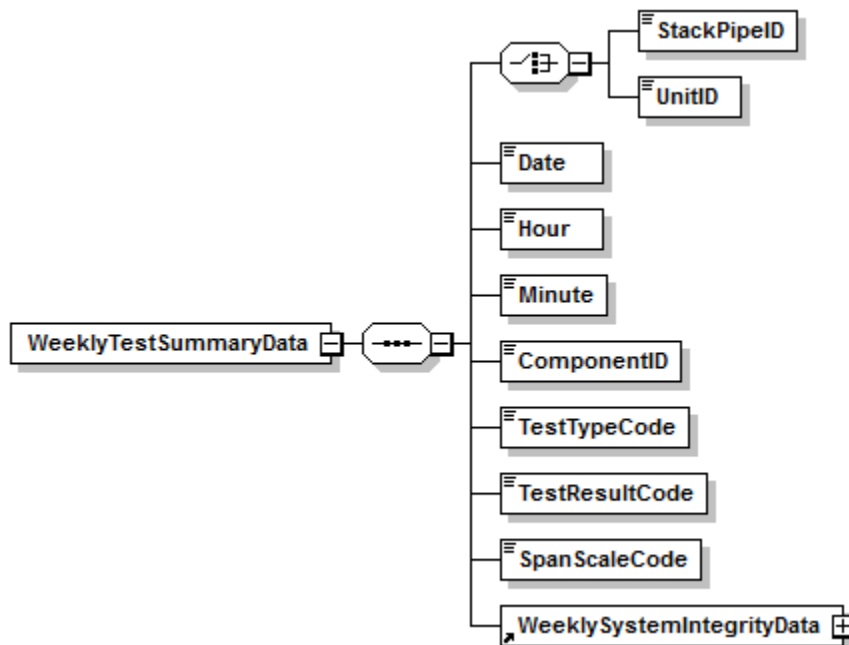
Weekly Test Summary Data Overview

The WEEKLY TEST SUMMARY DATA record summarizes the completion date and time, and the results (Passed/Failed) for each weekly system integrity check. For each single-point system integrity check, report the test data in the WEEKLY SYSTEM INTEGRITY DATA record. (See instructions for that record below.)

Report the results of all failed and passed weekly system integrity checks that affect data validation. You are not required to report additional failed single-point system integrity test data for a component when the data from that component are already considered invalid due to a previously failed test. However, please note that tests reported as “FAILED” should be reported with all the necessary fields completed.

Weekly Test Summary Data XML Model

Figure 6: Weekly Test Summary Data XML Elements



Weekly Test Summary Data XML Elements

Unit ID or Stack Pipe ID (*UnitID or StackPipeID*)

Report either the Unit ID or Stack Pipe ID for the daily test location. This is the alphanumeric code assigned by a source to identify a unit or stack.

Date (*Date*)

Report the date corresponding to the completion of the test.

Hour (*Hour*)

Report the hour corresponding to the completion of the test.

Minute (*Minute*)

Report the minute corresponding to the completion of the test.

Component ID (*ComponentID*)

Report the three-character ID assigned to the component.

Test Type Code (*TestTypeCode*)

Report the test type code as HGS11 to indicate a Single-Point System Integrity Check.

Test Result Code (*TestResultCode*)

Report the test result code as PASSED, PASSAPS, or FAILED. See detailed descriptions of each code in Table 7, below. The applicable performance specifications for this test are found in Table A-2 of Appendix A to 40 CFR Part 63, Subpart UUUUU.

Table 7: Test Result Code Descriptions for Weekly System Integrity Checks

| Code | Description |
|-------------|---|
| PASSED | Report this code whenever the standard performance specification in Table A-2 of Appendix A to 40 CFR Part 63, Subpart UUUUU is met. |
| PASSAPS | Report this code whenever the standard performance specification is not met but the alternative performance specification in Table A-2 is met. |
| FAILED | Report this code whenever the system integrity error (SIE) fails to meet either the standard or alternative performance specification. Data for the monitoring system will be considered invalid until a subsequent retest is passed. |

Span Scale Code (*SpanScaleCode*)

Report a span scale code of "H."

2.3.1 Weekly System Integrity Data

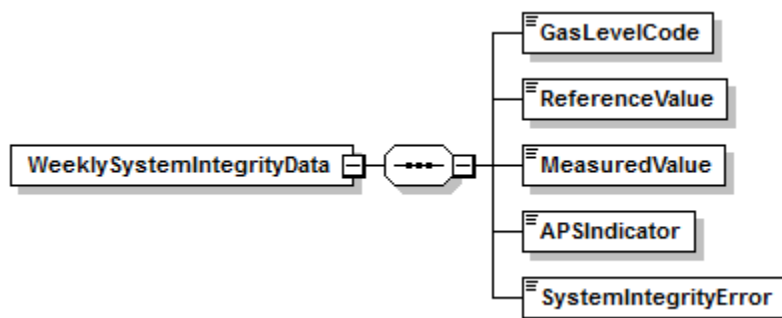
Weekly System Integrity Data Overview

The WEEKLY SYSTEM INTEGRITY DATA record is used to report the details of each single-point system integrity check performed for Hg CEMS that conduct daily calibration error tests using an elemental Hg standard.

For more information concerning this record see the “Specific Considerations” section below.

Weekly System Integrity Data XML Model

Figure 7: Weekly System Integrity Data XML Elements



Weekly System Integrity Data XML Elements

Gas Level Code *GasLevelCode*

Indicate whether the standard used is a high- or mid-level NIST-traceable source of oxidized Hg by reporting the appropriate code (HIGH or MID). Calibration standard injections should be performed at the level which is most representative of the actual stack emissions.

Reference Value *ReferenceValue*

Report the value of the calibration standard used for the injection. Report the reference value, in $\mu\text{g}/\text{scm}$, rounded to one decimal place.

Measured Value *MeasuredValue*

Report the value measured by the instrument ($\mu\text{g}/\text{scm}$) in response to the reference following the calibration standard injection. Report this value in $\mu\text{g}/\text{scm}$ rounded to one decimal place.

APS Indicator *APSIndicator*

If the system integrity error (SIE) is determined using the standard performance specification, report “0.” If the alternative performance specification (APS) is used to pass the test, report “1.”

System Integrity Error *SystemIntegrityError*

Calculate and report the results of the single-point system integrity check as a percentage of the reference gas value or, if necessary, as the absolute value of the difference between the reference and measured values (i.e., $|R - A|$).

If the calculated system integrity error meets the standard performance specification, report the result as a percentage of the reference gas value, even though the result would also pass the alternative specification. Only when the result does not pass the standard specification, but meets the alternative specification, should $|R - A|$ be reported. If the system integrity check fails both specifications, report the SIE as a percentage of the reference gas value.

Specific Considerations

The “weekly” single-point system integrity check must be performed at least once every 7 operating days (see section 5.1.2.3 of Appendix A to 40 CFR Part 63, Subpart UUUUU). The test must be done while the unit is combusting fuel. A mid-level or high-level NIST-traceable source of oxidized Hg must be used. The test consists of a single high- or mid-level injection. There is no grace period for this test.

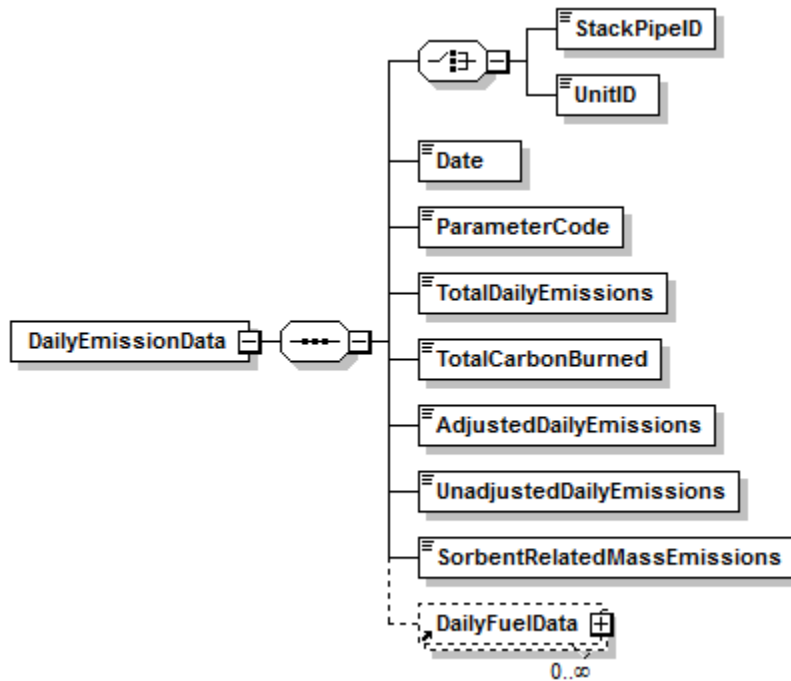
2.4 Daily Emissions Data

Daily Emissions Data Overview

Submit DAILY EMISSION DATA records to report daily CO₂ mass determined using Appendix G Fuel Sampling and Analysis (FSA) and Equation G-1. Note that this CO₂ value is the total mass emissions for the day, not a daily rate.

Daily Emissions Data XML Model

Figure 8: Daily Emission Data XML Elements



Daily Emissions Data XML Elements

Unit ID or Stack Pipe ID (*UnitID or StackPipeID*)

Report either the Unit ID or Stack Pipe ID for the daily emissions location. This is the alphanumeric code assigned by a source to identify a unit or pipe.

Date (*Date*)

Report the date corresponding to the daily emissions.

Parameter Code (*ParameterCode*)

Report the parameter code for daily emissions monitoring as CO₂M.

Total Daily Emissions (*TotalDailyEmissions*)

Report the total CO₂ mass emissions for the day in tons. Round to one decimal place.

Total Carbon Burned (*TotalCarbonBurned*)

Report the total amount of carbon burned (in lbs) during the day.

Adjusted Daily Emissions (*AdjustedDailyEmissions*)

This field applies only to coal-fired units and is optional. Report the adjusted value, in tons, if adjusting the CO₂ mass emissions for carbon content of the fly ash. Round to one decimal place.

Leave this field blank if electing not to make an adjustment for the carbon content of the fly ash.

Unadjusted Daily Emissions (*UnadjustedDailyEmissions*)

Report the unadjusted daily emissions value determined using the G-1 equation.

Sorbent Related Mass Emissions (*SorbentRelatedMassEmissions*)

This field is only for units with add-on SO₂ emission controls. Report data in this field in tons. Round to one decimal place.

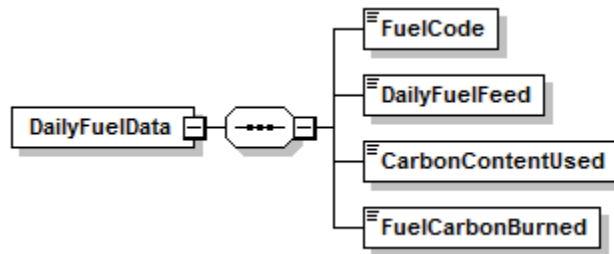
2.4.1 Daily Fuel Data

Daily Fuel Data Overview

Submit DAILY FUEL DATA records to report fuel-specific data used when using Appendix G Fuel Sampling and Analysis (FSA) and Equation G-1 to determine daily CO₂ mass if required to do so on behalf of the RGGI program.

Daily Fuel Data XML Model

Figure 9: Daily Fuel Data XML Elements



Daily Fuel Data XML Elements

Fuel Code (*FuelCode*)

Report the fuel code of a specific fuel used during the day.

Daily Fuel Feed (*DailyFuelFeed*)

Report the feed rate of a specific fuel (in lbs) used during the day.

CarbonContent Used (*CarbonContentUsed*)

Report the amount of carbon burned as a percentage of the daily feed rate for a specific fuel.

Fuel Carbon Burned (*FuelCarbonBurned*)

Report the amount of carbon burned (in lbs) during the day for a specific fuel.

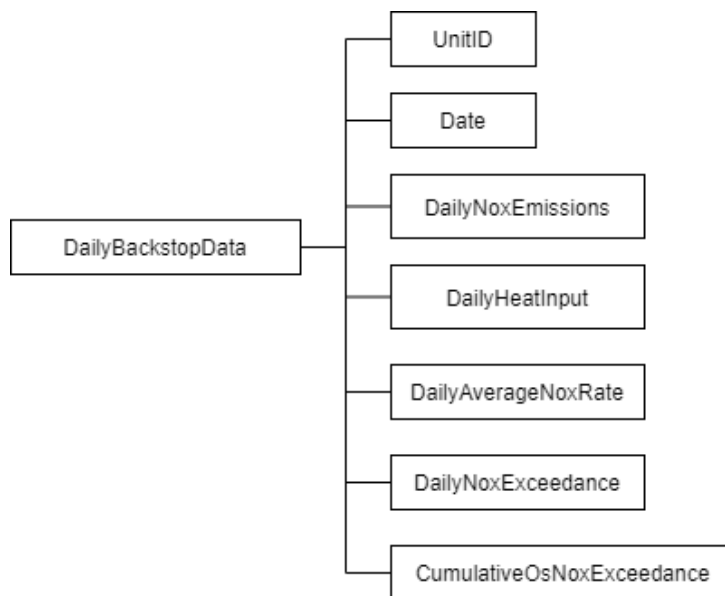
2.5 Daily Backstop Data

Daily Backstop Data Overview

For units subject to a daily NO_x emissions rate under subpart GGGGG of 40 CFR Part 97, submit DAILY BACKSTOP DATA records to report daily NO_x emissions, average NO_x emissions rate, backstop exceedances, and heat input.

Daily Backstop Data XML Model

Figure 10: Daily Backstop Data XML Elements



Daily Backstop Data XML Elements

Unit ID (UnitID)

Report the Unit ID for the DAILY BACKSTOP DATA. This is the alphanumeric code assigned by a source to identify a unit.

Date (Date)

Report the date corresponding to the data being reported.

Daily NO_x Emissions (DailyNoxEmissions)

Report the total NO_x emissions for the day in lbs. Round to one decimal place.

Daily Heat Input (DailyHeatInput)

Report the total daily heat input in mmBtu. Round to one decimal place.

Daily Average NO_x Rate (DailyAverageNoxRate)

Report the daily average NO_x emissions rate in lb/mmBtu, rounded to three decimal places.

Daily NO_x Exceedance (DailyNoxExceedance)

Report the daily NO_x emissions exceeding the applicable backstop daily NO_x emissions rate for the day in lbs. Round to one decimal place. If there are no exceedances for the day, report “0.”

Cumulative OS NO_x Exceedance (*CumulativeOsNoxExceedance*)

If the date falls within the ozone season, report the cumulative NO_x emissions exceeding the applicable backstop daily NO_x emissions rate in tons. Round to one decimal place. Leave this field blank for dates outside the ozone season.

2.6 Hourly Operating Data

Hourly Operating Data Overview

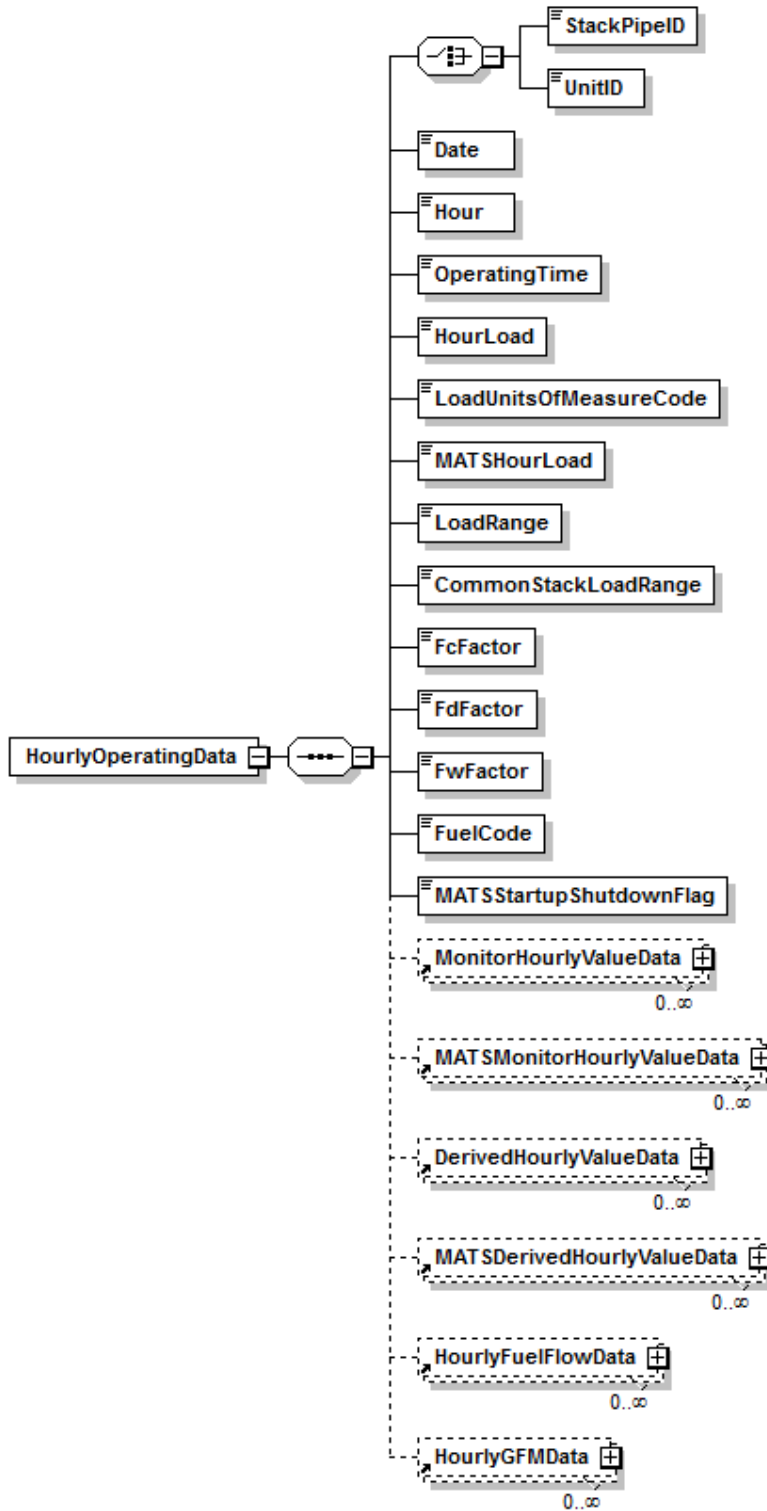
Report an HOURLY OPERATING DATA record for every clock hour of the reporting period for every unit, stack, and pipe in the monitoring configuration represented by this emissions file. (You must report these records even for non-operating quarters.) Report an HOURLY OPERATING DATA record for every clock hour, as follows: (a) for each affected unit, irrespective of the location(s) at which the emissions are measured; and (b) for each common stack (or pipe) or multiple stack (or pipe) location at which emissions are measured.

For example, if common stack CS1 serves Units 1 and 2 and emissions are monitored at the common stack, report HOURLY OPERATING DATA for the common stack and also report HOURLY OPERATING DATA for each unit. As a second example, if Unit 1 discharges through two stacks, MS1 and MS2, and emissions are monitored at each stack, report separate HOURLY OPERATING DATA for each stack and also report HOURLY OPERATING DATA for Unit 1.

If a common stack serves Units 1, 2, and 3, but Unit 1 did not operate during the quarter, report HOURLY OPERATING DATA for every clock hour in the quarter for Unit 1 with 0.00 as the operating time and leave the remaining fields blank. The HOURLY OPERATING DATA records for Units 2 and 3 will contain the appropriate operating data.

Hourly Operating Data XML Model

Figure 11: Hourly Operating Data XML Elements



Hourly Operating Data XML Elements

Unit ID or Stack Pipe ID (*UnitID or StackPipeID*)

Report either the Unit ID or Stack Pipe ID for the HOURLY OPERATING DATA. This is the alphanumeric code assigned by a source to identify a unit, stack, or pipe.

Date (*Date*)

Report the date corresponding to the data being reported.

Hour (*Hour*)

Report the hour corresponding to the data being reported.

Operating Time (*OperatingTime*)

Report the fraction of the clock hour during which the unit combusted any fuel (or the fraction of the clock hour during which the stack or pipe was used). You may use any equal increments from hundredths (0.01 hr) to quarters (0.25 hr) of an hour.

If the unit, stack, or pipe did not operate, report “0.00.” For common stack and multiple stack configurations, report an operating time of “0.00” in the HOURLY OPERATING DATA record for any clock hour in which none of the units that exhaust through a particular stack are operating or for any clock hour in which the dampers are closed so that flue gas is unable to pass through the stack.

If you elect to use a multiple-stack configuration to report NO_x emissions data from a combined-cycle combustion turbine that: (a) uses Appendix D to measure the unit-level heat input; and (b) has a NO_x-diluent monitoring system installed on each stack (i.e., on the main stack and the bypass stack), report the stack operating times as follows:

- For any hour in which all of the exhaust gases flow through one stack or the other, the operating time for the stack that is in use will be equal to the unit operating time for that hour, and the operating time for the other stack will be 0.00; and
- For a transition hour, in which gases flow through both stacks during the entire hour or any part of the hour:
 - Report that fraction of the hour (if any) in which gases flow only through the main stack as the “main stack operating time;” and
 - Report the remainder of the hour in which gases either flow through both stacks simultaneously or flow only through the bypass stack as the “bypass stack operating time.”

Operating Time for LME Units

Report the fraction of the clock hour during which the unit combusted any fuel (or the fraction of the clock hour during which the stack or pipe was used).

Report a unit operating time of “0.00” for any clock hour in which the unit did not operate.

Hour Load (*HourLoad*)

For Part 75 reporting report hourly load information as either steam load or gross unit load.

The units for average hourly gross unit load are to be reported in megawatts of electrical generation or in either 1,000 lbs/hr or mmBtu/hr of steam generation. Note that this value represents an hourly rate and not the total load for the hour. Do not correct steam load for standard temperature and pressure; use steam load at measured temperature and pressure (see Part 75, Appendix C, Section 2.2.1).

If you convert auxiliary heat input to the megawatts equivalent (e.g., for a heat recovery steam generator with a duct burner) and add that value to megawatts for a gas turbine, you should report the unit electric load in megawatts.

For multiple-stack configurations, with one exception, for each unit operating hour in which gases flow through a particular stack or duct, report the unit load in both the stack-level and unit-level HOURLY OPERATING DATA records for that hour. The lone exception is when the unit is also subject to MATS and is required to report electrical load for compliance with an electrical output-based standard. In that case, report the unit- and stack-level loads as described in the MATSHourLoad data field.

For monitored common stacks, report the weighted sum of the hourly unit loads for all units that exhaust through the stack, according to the following formula:

$$\text{Weighted Load} = \frac{\sum (\text{Load}_u \times \text{OpTime}_u)}{\text{OpTime}_{cs}}$$

Leave this element blank (do not report zeros) for any clock hour in which the unit, stack, or pipe did not operate. Also leave this element blank for units that do not produce electrical or steam load (e.g., cement kilns, refinery process heaters, etc.).

Load Units of Measure Code (*LoadUnitsOfMeasureCode*)

Report the appropriate code to identify the load units of measure.

If you report steam load (klb/hr) or thermal output (mmBtu/hr) for Part 75 purposes, report the appropriate code for steam load or mmBtu/hr in this data element and in the MONITORING LOAD DATA record of your monitoring plan even if you also report electrical load (megawatts) for MATS Rule compliance in the MATSHourLoad data element below.

Table 8: Load Units of Measure Codes and Descriptions

| Code | Description |
|---------|--|
| MW | Electrical Load in Megawatts |
| KLBHR | Steam Load in Thousands of Pounds per Hour |
| MMBTUHR | Thermal Output in mmBtu per Hour |

Leave this element blank for any clock hour in which the unit, stack, or pipe did not operate. Also leave this element blank for units that do not produce electrical or steam load (e.g., cement kilns, refinery process heaters, etc.).

MATS Hour Load (*MATSHourLoad*)

If you are required to report electrical load to comply with the MATS rule (i.e., to demonstrate compliance with an electrical output-based standard), you must report the hourly electrical load (megawatts) in this data field (see 40 CFR Part 63, Subpart UUUUU, Appendix A, section 7.1.2.3 and Appendix B, section 10.1.2.3).

For cogeneration units, the MATS Hour Load represents the “gross output” as defined in §63.10042 of Subpart UUUUU.

For single unit-single stack exhaust configurations, report the hourly unit load.

For monitored common stack configurations, report the combined hourly load for the units that share the stack.

If the unit has a multiple-stack or duct (“MS”) exhaust configuration and:

1. Gases flow through all of the stacks or ducts continuously; and
2. The pollutant concentrations and stack gas flow rates are continuously monitored in all of the stacks or ducts.

Then, for the purposes of MATS compliance:

- Report the unit load in the unit-level HOURLY OPERATING DATA record for each operating hour;
- Report a flow rate-apportioned load value in this data field for each of the stack-level HOURLY OPERATING DATA records for each operating hour. Apportion the unit load to each stack or duct using formula MS-2.

If the stack gas flow rate for any of the multiple stacks or ducts is missing or invalid for any operating hour, report MODC “38” in each of the stack-level MATSDERIVEDHOURLYVALUE records to indicate that the apportioned stack loads could not be determined and that the pollutant emission rate for the unit could not be calculated for this hour.

Load Range (*LoadRange*)

Report an operating load range (load bin number) for each operating hour (see Appendix C to Part 75) for units that produce electrical or steam load and that use load-based missing data substitution for one or more monitored parameters. Monitored parameters that require load-based missing data substitution include NO_x emission rate, NO_x concentration (for NO_xC systems, only), stack gas flow rate, and fuel flow rate.

For units that do not produce electrical or steam load (e.g., cement kilns, refinery process heaters, etc.), report the operational bin number, if operational bins are used for missing data purposes. If the operational bin number is indeterminable, report “0.”

For a monitored common stack, the load bins are defined at the common stack on the basis of combined unit load, and load-based missing data routines are applied at the common stack. Report the common stack load bin number in the common stack HOURLY OPERATING DATA record. If parameters that require load-based missing data substitution are also monitored at the unit, report the load bin number for the unit in the unit level HOURLY OPERATING DATA record.

For a multiple-stack configuration in which gases normally flow through both stacks or ducts simultaneously (e.g., a twin-stack or split-breeching configuration), report the load bin number for the monitored location within the configuration. For example, if Unit 1 discharges through two stacks, MS1FGD and MS1BYP, and emissions are monitored only at MS1FGD, only report the MS1FGD load bin number in the stack-level HOURLY OPERATING DATA record.

For load-based units, leave this element blank (do not report zeros) for any clock hour in which the unit does not operate or gases do not flow through the stack (as applicable). Also leave this element blank for non load-based units that do not use operational bins for missing data purposes and for LME units.

Common Stack Load Range (*CommonStackLoadRange*)

For a common stack with installed stack flow monitor, if you have elected to establish 20 load bins for missing data substitution purposes, report the appropriate load bin number using this element. Note that this is an optional alternative to the standard load range.

Fc Factor (*FcFactor*)

If any emissions calculations at this location require use of the carbon-based F-factor, report the appropriate Fc-factor value corresponding to the fuel(s) burned during the hour.

Fd Factor (*FdFactor*)

If any emissions calculations at this location require use of the dry-basis F-factor, report the appropriate Fd-factor value corresponding to the fuel(s) burned during the hour.

Fw Factor (*FwFactor*)

If any emissions calculations at this location require use of the wet-basis F-factor, report the appropriate Fw-factor value corresponding to fuel(s) burned during the hour.

Fuel Code (*FuelCode*)

You must report data in this field if: (1) you have elected to use the fuel-specific continuous emissions monitoring system (CEMS) missing data option under §75.33; or (2) you have an exhaust configuration consisting of a monitored main stack and an unmonitored bypass stack, and you opt to report the fuel-specific Maximum Potential Concentration (MPC) or maximum potential NO_x emission rate (MER) value during bypass hours (see §§75.16, 75.17 and 75.72). Otherwise, reporting data in this field is optional. Select one Fuel Code shown in Table 9. This field does not apply to MATS reporting.

Table 9: Fuel Codes and Descriptions

| Code | Description |
|-------------|--|
| MIX | Use this code for any hour in which fuels are co-fired |
| BFG | Blast Furnace Gas |
| BUT | Butane (if measured as a gas) |
| C | Coal |
| CDG | Coal-Derived Gas |
| COG | Coke Oven Gas |
| CRF | Coal Refuse (culm or gob) |
| DGG | Digester Gas |
| DSL | Diesel Oil |
| LFG | Landfill Gas |
| LPG | Liquefied Petroleum Gas (as defined in §72.2) |
| NNG | Natural Gas |
| OGS | Other Gas |
| OIL | Residual Oil |
| OOL | Other Oil |
| OSF | Other Solid Fuel |
| PDG | Producer Gas |
| PNG | Pipeline Natural Gas (as defined in §72.2) |
| PRG | Process Gas |
| PRP | Propane (if measured as a gas) |
| PRS | Process Sludge |
| PTC | Petroleum Coke |
| R | Refuse |
| RFG | Refinery Gas |
| SRG | Unrefined Sour Gas |
| TDF | Tire-Derived Fuel |
| W | Wood |
| WL | Waste Liquid |

MATS Startup Shutdown Flag (*MATSSStartupShutdownFlag*)

Report this flag in order to identify an hour as a MATS Startup or MATS Shutdown hour. Report a flag of “U” to indicate a Startup hour or “D” to indicate a Shutdown hour. The field should be left null if the location is not a MATS affected source or it is not a MATS Startup or MATS Shutdown hour.

2.6.1 Monitor Hourly Value Data

Monitor Hourly Value Data Overview

Use the MONITOR HOURLY VALUE DATA (MHV) record to report each value measured by a continuous emission monitoring system (CEMS), or stack gas flow rate monitoring system. The monitored parameters may include SO₂ concentration, NO_x concentration, CO₂ concentration, O₂ concentration, H₂O concentration (moisture), and volumetric flow. Use this record also to report the appropriate missing data substitution values (except for parameters that do not have substitute data requirements). These instructions contain a subsection for each measured parameter, to give specific direction on how to report for that parameter.

SO₂ Concentration

If you use continuous emissions monitoring systems (CEMS) to determine SO₂ mass emissions or SO₂ emissions rate for MATS, report SO₂ concentration in an MHV record for each hour or partial hour of unit operation, with one exception: do not report an MHV record for hours in which only gaseous fuel is combusted, if you account for SO₂ mass emissions during those hours using the provisions of §75.11(e)(1) in lieu of operating and recording data from the SO₂ monitoring system.

Volumetric Flow

If you use stack flow monitoring to determine hourly heat input rate or SO₂, CO₂, or NO_x mass emissions, report volumetric flow in an MHV record for each operating hour or partial operating hour.

Table 10, below, summarizes which elements to report for SO₂C and FLOW MHV records.

Table 10: MHV Elements for SO₂C or Flow

| MHV Elements to Report | SO ₂ C or Flow | |
|-------------------------------------|---------------------------|--------------|
| | Measured Data | Missing Data |
| Parameter Code | ✓ | ✓ |
| Unadjusted Hourly Value | ✓ | |
| Adjusted Hourly Value | ✓ | ✓ |
| Method of Determination Code (MODC) | ✓ | ✓ |
| Monitoring System ID | ✓ | ✓ |
| Component ID | ✓ | ✓ |
| Percent Available | ✓ | ✓ |
| Moisture Basis | | |

NO_x Concentration

If you use a NO_x-diluent monitoring system to determine and report the NO_x emission rate and/or a NO_x concentration monitor in conjunction with Stack Flow to determine NO_x mass, report an MHV record, as follows, for NO_xC for each unit or stack operating hour as needed for those determinations.

- a) Monitoring locations with only a NO_x-diluent monitoring system: Report the NO_x MHC record for hours in which a quality-assured NO_x concentration is available and a quality-assured diluent gas (CO₂ or O₂) concentration is available. Whenever the NO_x concentration or diluent concentration is missing for an hour, report a NO_x concentration MHC record without an unadjusted value and report the appropriate substitute data value for NO_x emission rate in the DERIVED HOURLY VALUE (DHV) record.

Report an MODC of 46 in the MHC records for NO_x if a) quality-assured NO_x is not available for the hour, b) quality-assured diluent concentration is not available for the hour, or c) both a and b are applicable.

Specific Considerations for locations with both primary and primary bypass NO_x-diluent monitoring systems:

- When gases flow through both stacks of a combined-cycle turbine with primary and primary bypass NO_x-diluent monitoring systems designated under a single monitoring location in the same hour, one set of MHC records should be reported for each stack for the hour.
- If both stacks are in control, the stack providing the measured NO_x emission rate value should report the measured data NO_x MHC record as normal. The other stack should report the measured data NO_x MHC record and use an MODC of 47 if a) quality-assured NO_x is available for the hours, b) quality-assured diluent concentration is available for the hour, and c) these concentration values were not used in determining the hourly NO_x emission rate.
- If the HRSG stack is in control and the bypass stack is out of control, the NO_x emission rate will be determined by the greater of the reading from the HRSG stack or MER, or the greater of the reading from the HRSG stack or PB missing data value. If the NO_x emission rate is quality-assured from the HRSG stack, a standard measured data NO_x MHC record should be reported from the HRSG stack and a missing data NO_x MHC record using MODC 48 should be reported from the bypass stack. If the NO_x emission rate is a substitute data value, the HRSG stack should report a measured data NO_x MHC record using MODC 47, and a missing data NO_x MHC record using MODC 46 should be reported from the bypass stack.
- If the HRSG stack is out of control and the bypass stack is in control, the NO_x emission rate will be determined by the greater of the readings from the bypass stack or standard unit-level missing data value, or the greater of the readings from the bypass stack or HRSG missing data value. If the NO_x emission rate is quality-assured from the bypass stack, a standard measured data NO_x MHC record should be reported from the bypass stack and a missing data NO_x MHC record using MODC 48 should be reported from the HRSG stack. If the NO_x emission rate is a substitute data value, the bypass stack should report a measured data NO_x MHC record using MODC 47, and a missing data NO_x MHC record using MODC 46 should be reported from the HRSG stack.
- If both the HRSG and bypass stacks are out of control, the NO_x emission rate will be a substitute data value. The stack used in determining the NO_x emission rate should report a missing data NO_x MHC record using MODC 46 and the other stack should report a missing data NO_x MHC record using MODC 48.

The elements to report for (a) are summarized in Table 11.

Table 11: MHV Elements for NOXC Record (NOX Rate System Only)

| MHV Elements to Report | NOXC MHV Record | |
|-------------------------|-----------------|--------------|
| | Measured Data | Missing Data |
| Parameter Code | ✓ | ✓ |
| Unadjusted Hourly Value | ✓ | |
| Adjusted Hourly Value | | |
| MODC | ✓ | ✓ |
| Monitoring System ID | | |
| Component ID | ✓ | ✓ |
| Percent Available | | |
| Moisture Basis | | |

- b) Monitoring locations with only a NO_x concentration monitoring system: Report the NOXC MHV record for every operating hour. If a valid NO_x concentration is not obtained for the hour, report substitute data in the ADJUSTED HOURLY VALUE element of the record using the applicable missing data procedures for NOXC.
- c) Monitoring locations with both a NO_x-diluent and a NO_x concentration monitoring system: Report the NOXC MHV record for every operating hour using the Monitoring System ID for the NO_x concentration monitoring system. If a valid NO_x concentration is not obtained for the hour, report the applicable substitute NO_x concentration data in the MHV record using the applicable missing data procedures for NOXC; and report the appropriate substitute data value for NO_x emission rate in the DHV record.

The elements to report for (b) and (c) are summarized in Table 12, below.

Table 12: MHV Elements for NOXC Record (NOXC System)

| MHV Elements to Report | NOXC MHV Record | |
|-------------------------|-----------------|----------------|
| | Measured Data | Missing Data |
| Parameter Code | ✓ | ✓ |
| Unadjusted Hourly Value | ✓ | |
| Adjusted Hourly Value | ✓ | ✓ |
| MODC | ✓ | ✓ |
| Monitoring System ID | ✓ ¹ | ✓ ¹ |
| Component ID | ✓ | ✓ |

| MHV Elements to Report | NOXC MHV Record | |
|------------------------|-----------------|--------------|
| | Measured Data | Missing Data |
| Percent Available | ✓ | ✓ |
| Moisture Basis | | |

¹ Report the NOXC System ID.

Note that for units with add-on NO_x emission controls, hours in which the flue gases are discharged through an unmonitored bypass stack are considered to be missing data hours. However, when the outlet NO_x monitor is unavailable and proper operation of the emission controls is not verified, §75.34 (a)(1) allows you to report data from a certified NO_x monitor at the control device inlet. If you choose this option, these hours are treated as “available” hours for the purposes of the missing data look backs and percent monitor data availability (PMA) calculations.

For a summary of these requirements, see Table 13 below.

Reporting of High Range and Full Scale Exceedance Defaults

Treat any hour(s) in which a default high range value (200 percent of Maximum Potential Concentration (MPC)) or a full scale exceedance value (200 percent of range) is used in the calculation of the hourly average NO_x concentration as follows:

- a) For NO_x concentration monitoring systems: Treat these hours as quality-assured monitor operating hours and include them in missing data lookback and as available hours for percent monitor data availability calculations.
- b) For NO_x-diluent monitoring systems:
 1. If a quality-assured diluent value is available for the hour, treat the hour as quality-assured data and use the appropriate NO_x concentration value in conjunction with the quality-assured average diluent gas concentration for the hour to calculate and report NO_x emission rate in the DHV record.
 2. If a quality-assured diluent gas concentration is not available for the hour, then consider the NO_x emission rate data for the hour to be missing and do not report the unadjusted hourly value or adjusted hourly value in the MHV record for the hour. Instead, report the maximum potential NO_x emission rate (MER) as a substitute data value in a DHV record using an MODC of 25.
- c) Where both NO_x concentration and NO_x-diluent monitoring systems are identified:
 1. If a quality-assured diluent value is available for the hour, treat the hour as a quality-assured monitor operating hour and include it in the missing data lookback and as an available hour for percent monitor data availability calculations. Also, use the NO_x concentration value in conjunction with the quality-assured average diluent gas concentration for the hour to calculate and report NO_x emission rate in the DHV record.
 2. If a quality-assured diluent gas concentration is not available for the hour, treat the hour as a quality-assured monitor operating hour for NOXC and include it in the missing data lookback for NOXC and as an available hour for percent monitor

data availability calculations for the NO_x system. However, the NO_x emission rate data for the hour is considered to be missing. Report the MER as a substitute data value in a DHV record using an MODC of 25.

Table 13: Summary of NO_x Monitor Hourly Value Record Reporting Requirements

| Use of NO _x Analyzer | Monitoring System ID Used | Missing Data Instructions |
|---|---|---|
| For NO _x emission rate only or Both NO _x emission rate and NO _x mass calculation using NO _x emission rate x Heat input rate | Blank (Report the NO _x -diluent monitoring system ID in the DHV record) | Leave the unadjusted and adjusted hourly values blank in the MHV record for the hour. Perform NO _x missing data substitution in the DHV record (if NO _x or diluent concentration is unavailable). |
| For NO _x mass calculation using NO _x concentration x stack flow | NO _x concentration monitoring System ID | Perform missing data substitution for NO _x concentration in an MHV record. |
| Both NO _x emission rate and NO _x mass calculation using NO _x concentration x stack flow | NO _x concentration monitoring System ID | Perform missing data substitution for NO _x concentration in an MHV record. Also perform missing data substitution in the DHV record for NO _x emission rate if either the NO _x or diluent concentration is missing. |

CO₂ Concentration

Report a MHV record for CO₂ Concentration only if you use a CO₂ analyzer to determine CO₂ concentration. If you use an O₂ concentration monitor and Equation F-14a or F-14b to determine CO₂ concentration for each hour, report a MHV record for O₂ concentration for the hour (see the instructions for O₂ Concentration below) and report the calculated CO₂ concentration in a DHV record.

If you use a CO₂ analyzer reading to calculate NO_x emission rate, CO₂ mass emission rate, and/or Heat Input, report a MHV record for CO₂C for each unit or stack operating hour. If you also use a CO₂ analyzer reading to calculate HCl, HF, Hg, and/or SO₂ emission rates, record a MHV record for CO₂C for each unit or stack operating hour.

Table 14: MHV Elements for CO₂C

| MHV Elements to Report | CO ₂ C MHV Records | |
|-------------------------|-------------------------------|---------------------------|
| | Measured Data | Missing Data ³ |
| Parameter Code | ✓ | ✓ |
| Unadjusted Hourly Value | ✓ | ✓ ⁴ |
| Adjusted Hourly Value | | |
| MODC | ✓ | ✓ |
| Monitoring System ID | 1 | 1 |
| Component ID | ✓ | ✓ |

| MHV Elements to Report | CO2C MHV Records | |
|------------------------|------------------|---------------------------|
| | Measured Data | Missing Data ³ |
| Percent Available | 2 | ✓ |
| Moisture Basis | | |

¹ If the CO₂ component is part of a CO₂ system, report the CO₂ System ID. Otherwise, leave the System ID blank.

² If the CO₂ is used to calculate heat input or CO₂ mass rate, report the Percent Available value for every operating hour.

³ If the CO₂ value is used to calculate heat input or CO₂ mass rate, report an MHV record for CO2C for every operating hour. Otherwise, do not report CO2C MHV records for missing data hours.

⁴ If MODC 46 or 48 is used, do not report the unadjusted hourly value.

- a) Whenever you use a CO₂ monitor to determine CO₂ mass emissions and/or for heat input rate: Report a MHV record using the CO₂ Monitoring System ID, for each hour or partial hour of unit operation. When the hourly CO₂ concentration is missing, or for hours in which the flue gases are discharged through an unmonitored bypass stack, use the missing data routines in §75.35 and 75.36 to provide substitute data values.

If the CO₂ monitor is also used as the diluent monitor for a NO_x-diluent monitoring system, whenever a CO₂ RATA is failed on the CO₂ monitoring system, then both the CO₂ and NO_x-diluent monitoring systems are considered out-of-control. (See Appendix B §2.3.2(g)). Report the applicable substitute CO₂ concentration data in the MHV record using the applicable missing data procedures for CO2C. For NO_x emission rate, report the appropriate substitute data value in the DHV record.

However, if the CO₂ data for the CO₂ monitoring system is considered out-of-control due to the expiration of the applicable CO₂ RATA but the NO_x RATA has not yet expired,¹ then substitute data should only be used for CO₂ mass and heat input rate calculations and not for calculation of the NO_x emission rate. For NO_x emission rate, the actual measured CO₂ concentration should be used. In such cases, report two CO₂ concentrations for each hour until a CO₂ RATA is completed. First, report the appropriate substitute CO₂ data using the CO₂ System ID. Second, report the actual CO₂ value recorded by the CO₂ component, leaving the System ID blank. (The actual CO₂ value will be used in the NO_x emission rate calculation for the hour, while the substitute data value will be used in the CO₂ mass and heat input rate calculations.)

- b) If you use the CO₂ monitor only to calculate NO_x emission rate: Report an MHV record for CO₂ concentration. Leave the Monitoring System ID blank. Leave the unadjusted or adjusted hourly values blank for the hour if: (1) a quality-assured CO₂ concentration is not available; or (2) a quality-assured NO_x concentration is not available; or (3) both (1) and (2). Instead, report a substitute data value for NO_x emission rate in the DHV record and report an MODC of “46” in the CO2C MHV record.

¹ Note that this situation should only arise if the NO_x emission rate RATA was done using O₂ as the diluent for the reference method or if the CO₂ RATA data are not submitted. If the RATA was conducted using a CO₂ diluent in the reference method, then there should be sufficient CO₂ data available to submit a RATA for the CO₂ system.

Note that hours in which the flue gases are discharged through an unmonitored bypass stack are considered to be missing data hours. For these hours, do not report a MHV record. In the DHV record, report the NO_x MER and MODC of “23.”

When a default high range value (200 percent of MPC) or a full-scale exceedance value (200 percent of the range) is used in the calculation of the hourly average NO_x concentration, the NO_x concentration is considered to be both quality-assured and available. Therefore, if a quality-assured CO₂ concentration is available for that hour, report a MHV record and calculate the NO_x emission rate in the usual manner. However, if a quality-assured CO₂ concentration is not available for that hour, the NO_x emission rate data for the hour are considered missing. In that case, report a MHV record for the hour using an MODC of “46” and report the maximum potential NO_x emission rate (MER) as a substitute data value in DHV record, using an MODC of “25.”

Specific Considerations for locations with both primary and primary bypass NO_x-diluent monitoring systems:

- When gases flow through both stacks of a combined-cycle turbine with primary and primary bypass NO_x-diluent monitoring systems designated under a single monitoring location in the same hour, one set of MHV records should be reported for each stack for the hour.
- If both stacks are in control, the stack providing the measured NO_x emission rate value should report the measured data CO2C MHV record as normal. The other stack should report the measured data CO2C MHV record and use an MODC of 47 if a) quality-assured NO_x is available for the hour, b) quality-assured diluent concentration is available for the hour, and c) these concentration values were not used in determining the hourly NO_x emission rate.
- If the HRSG stack is in control and the bypass stack is out of control, the NO_x emission rate will be determined by the greater of the readings from the HRSG stack or MER, or the greater of the readings from the HRSG stack or PB missing data value. If the NO_x emission rate is quality-assured from the HRSG stack, a standard measured data CO2C MHV record should be reported from the HRSG stack and a missing data CO2C MHV record using MODC 48 should be reported from the bypass stack. If the NO_x emission rate is a substitute data value, the HRSG stack should report a measured data CO2C MHV record using MODC 47, and a missing data CO2C MHV record using MODC 46 should be reported from the bypass stack.
- If the HRSG stack is out of control and the bypass stack is in control, the NO_x emission rate will be determined by the greater of the readings from the bypass stack or standard unit-level missing data value, or the greater of the readings from the bypass stack or HRSG missing data value. If the NO_x emission rate is quality-assured from the bypass stack, a standard measured data CO2C MHV record should be reported from the bypass stack and a missing data CO2C MHV record using MODC 48 should be reported from the HRSG stack. If the NO_x emission rate is a substitute data value, the bypass stack should report a measured data CO2C MHV record using MODC 47, and a missing data CO2C MHV record using MODC 46 should be reported from the HRSG stack.

- If both the HRSG and bypass stacks are out of control, the NO_x emission rate will be a substitute data value. The stack used in determining the NO_x emission rate should report a missing data CO₂C MHV record using MODC 46 and the other stack should report a missing data CO₂C MHV record using MODC 48.
- c) If you use the CO₂ monitor to calculate HCl, HF, Hg, and/or SO₂ emission rates and the CO₂ monitor is out-of-control: Report the applicable substitute CO₂ concentration data as required under Part 75 in the MHV record using the applicable missing data procedures for CO₂C. Note that MATS does not allow the use of missing data routines. Therefore, report the appropriate out-of-control method of determination code (MODC) for the HCl, HF, Hg, and/or SO₂ emissions rates in the MATS DERIVED HOURLY VALUE DATA (MDHV) record. If the CO₂ monitor is only used to calculate MATS emission rates, report an MODC of “46” when the CO₂ monitor is out-of-control.

O₂ Concentration

Report an MHV record for O₂ concentration for each hour in which you use the O₂ concentration to determine the hourly NO_x, HCl, HF, Hg, or SO₂ emission rates, heat input rate, or CO₂ concentration. Report two MHV records for O₂ concentration (one wet-basis and one dry-basis) for each hour in which you use O₂ concentration to determine percent moisture.

If the O₂ value is used for the heat input calculation, report the MHV record for O₂ for every operating hour and use the appropriate substitute data for any operating hour in which a quality-assured O₂ value is not obtained.

Table 15: MHV Elements for O₂C

| MHV Elements to Report | O ₂ C MHV Records | |
|-------------------------|------------------------------|---------------------------|
| | Measured Data | Missing Data ⁴ |
| Parameter Code | ✓ | ✓ |
| Unadjusted Hourly Value | ✓ | ✓ ⁵ |
| Adjusted Hourly Value | | |
| MODC | ✓ | ✓ |
| Monitoring System ID | 1 | 1 |
| Component ID | ✓ | ✓ |
| Percent Available | 2 | ✓ |
| Moisture Basis | 3 | 3 |

¹ If the O₂ component is part of a CO₂ system, report the CO₂ System ID. If the O₂ component is part of an O₂ system, report the O₂ System ID. Otherwise, leave the System ID blank.

² If the O₂ value is used to calculate heat input, report the Percent Available value for every operating hour.

³ If the O₂ value is used to calculate H₂O, report the Moisture basis. Otherwise, leave this field blank.

⁴ If the O₂ value is used to calculate heat input, report an MHV record for O₂C for every operating hour.

⁵ If MODC 46 or 48 is used, do not report the unadjusted hourly value.

- a) Whenever you use an O₂ monitor to determine CO₂ concentration, CO₂ mass emissions, and/or for heat input rate (as part of a CO₂ monitoring system): Report an MHV record using the CO₂ Monitoring System ID, for each hour or partial hour of unit operation in which a quality-assured O₂ value is obtained. When the hourly O₂ concentration is missing, or for hours in which the flue gases are discharged through an unmonitored bypass stack, use the missing data routines in §75.36 to provide substitute data values if the O₂ value is used to determine heat input.

If the O₂ monitor is also used as the diluent monitor for a NO_x-diluent monitoring system, whenever a CO₂ RATA is failed on the CO₂ monitoring system, then the CO₂ and NO_x-diluent monitoring systems (as applicable) are each considered to be out-of-control. (See Appendix B §2.3.2(g).) If heat input is calculated from the O₂, report the applicable substitute O₂ concentration data in the MHV record using the applicable missing data procedures for O2C. For CO₂ concentration, CO₂ mass, and NO_x emission rate, report the appropriate substitute data values in the appropriate DHV records. However, if the O₂ data for the CO₂ monitoring system is considered out-of-control due to the expiration of the applicable CO₂ RATA but the NO_x RATA has not yet expired,² then substitute data should only be used for CO₂ concentration and heat input rate calculations and not for calculation of the NO_x emission rate. The actual measured O₂ concentration should be used to calculate NO_x emission rate. In such cases, report two O₂ concentrations for each hour until a CO₂ RATA is completed. First, report the appropriate substitute O₂ data using the CO₂ system. Second, report the actual O₂ value recorded by the O₂ component, leaving the System ID blank. (The monitor O₂ value will be used in the NO_x emission rate calculation for the hour, while the substitute data value will be used in the heat input rate calculation.)

If the O₂ monitor is only used to determine derived CO₂ concentration, report an MODC of “46” when O₂ concentration is unavailable.

- b) Whenever you use an O₂ monitoring system to determine heat input rate: Report an MHV record using the O₂ Monitoring System ID, for each hour or partial hour of unit operation. When the hourly O₂ concentration is missing, or for hours in which the flue gases are discharged through an unmonitored bypass stack, use the missing data routines in §75.36 to provide substitute data values.

If the O₂ monitor is also used as the diluent monitor for a NO_x-diluent monitoring system, whenever O₂ RATA is failed for the O₂ monitoring system, then the NO_x-diluent monitoring systems is also considered to be out-of-control. (See Appendix B §2.3.2(g).) For heat input that is calculated from the O₂, report the applicable substitute O₂ concentration data in the MHV record using the applicable missing data procedures for O2C. For NO_x emission rate, report the appropriate substitute data values in the appropriate DHV record. However, if the O₂ data for the O₂ monitoring system is considered out-of-control due to the expiration of the applicable O₂ RATA but the NO_x RATA has not yet expired,³ then substitute data should only be used for calculating heat input rate and not for calculation of the NO_x emission rate. The actual measured O₂

² Note that this situation should only arise if the NO_x emission rate RATA was done using O₂ as the diluent for the reference method or if the CO₂ RATA data are not submitted. If the RATA was conducted using a CO₂ diluent in the reference method, then there should be sufficient CO₂ data available to submit a RATA for the CO₂ system.

³ Note that this situation should only arise if the NO_x emission rate RATA was done using CO₂ as the diluent for the reference method or if the O₂ RATA data are not submitted. If the RATA was conducted using an O₂ diluent in the reference method, then there should be sufficient O₂ data available to submit a RATA for the O₂ system.

concentration should be used to calculate NO_x emission rate. In such cases, report an additional O₂ concentration record for each hour until an O₂ RATA is completed. First, report the appropriate substitute O₂ data using the O₂ System ID. Secondly, report the actual O₂ value recorded by the O₂ component leaving the System ID blank. (The recorded O₂ value will be used in the NO_x emission rate calculation for the hour, while the O₂C substitute data value will be used in the heat input rate calculations.)

- c) If the O₂ value is used only for calculating NO_x emission rate: Report the MHV record for all stack operating hours. Report O₂ unadjusted and adjusted hourly values only when quality-assured values are obtained for both O₂ and NO_x concentration. Leave the System ID blank.

Leave the unadjusted or adjusted hourly values blank for the hour if (1) a quality-assured O₂ concentration is not available; or (2) a quality-assured NO_x concentration is not available, or (3) both (1) and (2). Instead, report a substitute data value for NO_x emission rate in the DHV record and report an MODC of “46” in the O₂C MHV record.

Specific Considerations for locations with both primary and primary bypass NO_x-diluent monitoring systems:

- When gases flow through both stacks of a combined-cycle turbine with primary and primary bypass NO_x-diluent monitoring systems designated under a single monitoring location in the same hour, one set of MHV records should be reported for each stack for the hour.
- If both stacks are in control, the stack providing the measured NO_x emission rate value should report the measured data O₂C MHV record as normal. The other stack should report the measured data O₂C MHV record and use an MODC of 47 if a) quality-assured NO_xC is available for the hour, b) quality-assured diluent concentration is available for the hour, and c) these concentration values were not used in determining the hourly NO_x emission rate.
- If the HRSG stack is in control and the bypass stack is out of control, the NO_x emission rate will be determined by the greater of the readings from the HRSG stack or MER, or the greater of the readings from the HRSG stack or PB missing data value. If the NO_x emission rate is quality-assured from the HRSG stack, a standard measured data O₂C MHV record should be reported from the HRSG stack and a missing data O₂C MHV record using MODC 48 should be reported from the bypass stack. If the NO_x emission rate is a substitute data value, the HRSG stack should report a measured data O₂C MHV record using MODC 47, and a missing data O₂C MHV record using MODC 46 should be reported from the bypass stack.
- If the HRSG stack is out of control and the bypass stack is in control, the NO_x emission rate will be determined by the greater of the readings from the bypass stack or standard unit-level missing data value, or the greater of the readings from the bypass stack or HRSG missing data value. If the NO_x emission rate is quality-assured from the bypass stack, a standard measured data O₂C MHV record should be reported from the bypass stack and a missing data O₂C MHV record using MODC 48 should be reported from the HRSG stack. If the NO_x emission rate is a substitute data value, the bypass stack should report a measured data O₂C MHV

record using MODC 47, and a missing data O₂C MHV record using MODC 46 should be reported from the HRSG stack.

- If both the HRSG and bypass stacks are out of control, the NO_x emission rate will be a substitute data value. The stack used in determining the NO_x emission rate should report a missing data O₂C MHV record using MODC 46 and the other stack should report a missing data O₂C MHV record using MODC 48.

Note that hours in which the flue gases are discharged through an unmonitored bypass stack are considered to be missing data hours. (For these hours, do not report an MHV record. In the DHV record, report the NO_x MER and an MODC of “23.”)

- d) If you use the O₂ monitor to calculate HCl, HF, Hg, and/or SO₂ emission rates and the O₂ monitor is out-of-control: Report the applicable substitute O₂ concentration data as required under Part 75 in the MHV record using the applicable missing data procedures for O₂C. Note that MATS does not allow the use of missing data routines. Therefore, report the appropriate out-of-control method of determination code (MODC) for the HCl, HF, Hg, and/or SO₂ emissions rate in the MATS DERIVED HOURLY VALUE DATA (MDHV) record. If the O₂ monitor is only used to calculate MATS emission rates, report an MODC of “46” when the O₂ monitor is out-of-control.
- e) If you also use wet and dry O₂ monitors to determine the hourly percent moisture: Report two O₂ MHV records for each hour. Report the wet O₂ measurement with a “W” as the MoistureBasis data element and report the dry O₂ measurement with a “D” as the MoistureBasis data element. If either the wet or dry O₂ component is also used to calculate heat input, NO_x, HCl, HF, Hg, and/or SO₂ emission rates, and/or CO₂ concentration, then follow the applicable reporting instructions from sections (a), (b), (c), or (d) above, to report the data for that component. For the remaining component, report the MHV for each hour, and leave the System ID blank.

If either O₂ value is missing, or for hours in which the flue gases are discharged through an unmonitored bypass stack, perform missing moisture data substitution in the DHV record for moisture, in accordance with §75.37.

If the O₂ monitors are only used to determine hourly percent moisture and either O₂ value is missing, report an MODC of “46” for both the wet and dry O₂ monitors.

Moisture (H₂O)

For any unit or stack that monitors H₂O with a moisture sensor (or, for saturated gas streams, from a temperature sensor and look-up table), report the moisture value in a moisture MHV record for each operating hour or partial operating hour.

Table 16: MHV Elements for H₂O

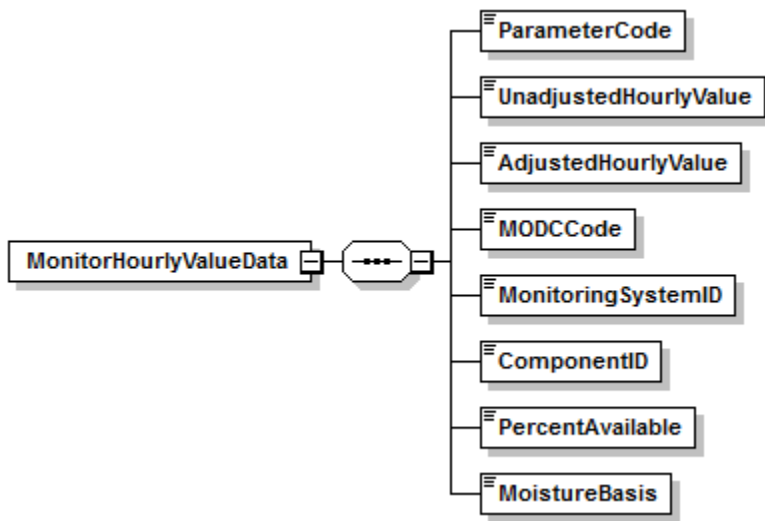
| MHV Elements to Report | H ₂ O | |
|-------------------------|------------------|--------------|
| | Measured Data | Missing Data |
| Parameter Code | ✓ | ✓ |
| Unadjusted Hourly Value | ✓ | ✓ |
| Adjusted Hourly Value | | |
| MODC | ✓ | ✓ |
| Monitoring System ID | ✓ | ✓ |
| Component ID | ✓ | ✓ |
| Percent Available | ✓ | ✓ |
| Moisture Basis | | |

If you use a fuel-specific default moisture value, as allowed under §75.11 or §75.12 (for coal, wood, and natural gas burning units only), report the value in the MONITOR DEFAULT DATA record and use this constant in the calculation. Do not report a moisture MHV record on an hourly basis. However, if you have more than one active fuel-specific default moisture value defined in your monitoring plan, report the fuel-specific or pro-rated moisture value used in your emissions calculations in an H₂O DHV record.

The Part 75 missing data procedures for moisture are found in §75.37. These procedures are modeled after the standard missing data procedures for SO₂. In most instances, the moisture missing data algorithm is the inverse of the SO₂ algorithm (i.e., the lower moisture values are more conservative and therefore an inverted moisture missing data algorithm must be applied (using 10th percentile values instead of 90th percentile values, minimum values instead of maximum values, etc.)). However, when Equations 19-3, 19-4, or 19-8 from Method 19 of 40 CFR Part 60 are used to determine NO_x emission rate, a higher moisture value is more conservative and therefore the standard SO₂ missing data algorithm must be applied.

Monitor Hourly Value Data XML Model

Figure 12: Monitor Hourly Value Data XML Elements



Monitor Hourly Value Data XML Elements

Parameter Code (*ParameterCode*)

Report the Parameter Code that corresponds to the parameter monitored at the location defined by the Stack Pipe ID or Unit ID. Use the appropriate uppercase code as shown in Table 17.

Table 17: Parameter Codes and Descriptions for the M_{HV} Data Record

| Code | Description |
|------|---|
| CO2C | CO ₂ Concentration (% , pct) |
| FLOW | Volumetric Flow Rate (scfh) |
| H2O | Moisture (using moisture sensors, or temperature sensors) (% , pct) |
| NOXC | NO _x Concentration (ppm) |
| O2C | O ₂ Concentration (% , pct) |
| SO2C | SO ₂ Concentration (ppm) |

Unadjusted Hourly Value (*UnadjustedHourlyValue*)

Report the unadjusted concentration or stack flow value for the hour. See below for parameter-specific instructions.

SO₂ Concentration

Report the unadjusted, quality-assured SO₂ concentration for the hour, expressed in parts per million (ppm) and round the resulting value to the appropriate number of decimal places per Table 18. For hours in which very low sulfur fuel is combusted, report the actual SO₂

concentration even if you report a 2.0 ppm default value in the derived hourly value record. Leave this field blank for hours in which you use substitute data.

Leave this field blank for hours in which the flue gases are routed through an unmonitored bypass stack, or when the outlet SO₂ monitor is unavailable and proper operation of the emission controls is not verified, if you report the MPC for those hours. However, if you report data from a certified inlet monitor during those hours, report the unadjusted SO₂ concentration recorded by the monitor.

Do not leave this field blank for hours in which: (1) very low sulfur fuel is combusted and you report a 2.0 ppm default value in the derived hourly value record; or (2) you use the default high range value of 200 percent of the MPC in the calculation of the hourly SO₂ concentration; or (3) a full-scale exceedance occurs and you use 200 percent of the range in the calculation of the hourly SO₂ concentration. All of the hours described in (1) – (3), above, are treated as quality-assured monitor operating hours.

NO_x Concentration

For both NO_x concentration monitoring systems and NO_x-diluent monitoring systems, report the unadjusted, quality-assured NO_x concentration for the hour, expressed in parts per million (ppm) and round the resulting value to the appropriate number of decimal places per Table 18. Leave this field blank for hours in which you use substitute data for NO_x concentration or MODC “46” for locations with only a NO_x-diluent monitoring system.

Do not leave this field blank for hours in which: (1) you use a default high range value of 200 percent of the MPC in the calculation of the hourly NO_x concentration; or (2) a full-scale exceedance occurs and you use 200 percent of the range in the calculation of the hourly NO_x concentration. All of the hours described in (1) and (2), above are treated as quality-assured monitor operating hours. Refer to the Part 75 Emissions Monitoring Policy Manual for further discussion of overscaling and use of the default high range.

For units with add-on NO_x emission controls, if you report data from a certified control device inlet monitor during hours in which the outlet NO_x monitor is unavailable and proper operation of the emission controls is not verified, report the average, unadjusted NO_x concentration recorded by the inlet monitor.

CO₂ Concentration

Report the CO₂ concentration for the hour, expressed in percent CO₂ (%CO₂) and round the resulting value to the appropriate number of decimal places per Table 18. If applicable, during hours in which you use substitute data, or for hours in which the flue gases are discharged through an unmonitored bypass stack, report the substituted value obtained from the CO₂ missing data procedures under §§75.35 or 75.36 (as applicable). If MODC “46” is used, indicating that the CO₂ concentration for a NO_x-diluent system is unavailable, leave this field blank. Also leave this field blank when MODC “46” is used for a CO₂ monitor used only to determine MATS emission rates.

If applicable for Hg, HCl, HF, SO₂, and/or NO_x emission rate calculations, for each hour in which you use the diluent cap value to calculate emission rate, report the actual quality-assured CO₂ concentration in MHV record for CO2C and appropriate MODC (“01” through “04”), and report an MODC of “14” in the DHV record for NO_x emission rate and/or an MODC of “37” in

the MDHV for Hg, HCl, HF, or SO₂ emission rate. Note: For MATS reporting, use of the diluent cap is restricted to startup and shutdown hours (as defined in Section 63.10042).

Whenever it is necessary to report a second CO₂ concentration record to calculate Hg and/or NO_x emission rate for an hour, report the actual CO₂ concentration for the hour and the appropriate MODC (either “01” or “02”). See instructions under Description of Data for CO₂ Concentration.

O₂ Concentration

Report O₂ concentration for the hour, expressed in %O₂, and round the resulting value to the appropriate number of decimal places per Table 18. For each hour in which you use the diluent cap value to calculate Hg, HCl, HF, SO₂, and/or NO_x emission rate, report the actual quality-assured O₂ concentration and appropriate MODC (“01” through “04”). For each such hour, report an MODC of “14” in the NO_x emission rate DHV record and/or an MODC of “37” in the MDHV for Hg, HCl, HF, or SO₂ emission rate. Note: For MATS reporting, use of the diluent cap is restricted to startup and shutdown hours (as defined in Section 63.10042).

Leave this field blank if MODC “46” is used, indicating that the O₂ concentration for a NO_x-diluent system is unavailable and/or the O₂ concentration used only to determine derived CO₂ concentration or hourly moisture is unavailable. Also leave this field blank when MODC “46” is used for an O₂ monitor used only to determine MATS emission rates.

For any hour in which there is a full scale exceedance of the O₂ monitor range, report the appropriate diluent cap value for the type of unit and an MODC of “20.” You must also report a default record in the monitoring plan with a parameter code of O2X and a Default Purpose Code of “DC” containing this value even if you do not calculate an hourly NO_x Emissions Rate. (Note that you may instead report a time weighted average calculated using the diluent cap value for the portion of the hour that the monitoring range was exceeded with the quality assured data collected during the portion of the hour when the range was not exceeded. In this case, report the hourly average but use an MODC of “20” to indicate a range exceedance has occurred during the hour.) If you use wet and dry O₂ monitors to determine the hourly percent moisture and both values are quality-assured, report two O₂ MHV records for each hour.

If you use O₂ concentration for the heat input rate calculation, report the appropriate substitute data value in this field when a quality-assured O₂ concentration for the hour is unavailable or for hours in which the flue gases are discharged through an unmonitored bypass stack.

Moisture

Report moisture for the hour, expressed in %H₂O, and round the resulting value, obtained either from a moisture sensor, or for saturated gas streams, from a temperature sensor and look-up table, to the appropriate number of decimal places per Table 18. Report the appropriate substitute data value for hours in which a quality-assured moisture percentage is unavailable or for hours in which the flue gases are discharged through an unmonitored bypass stack.

Volumetric Flow

For each operating hour (or partial operating hour) in which a quality-assured flow rate was measured (MODC “01” through “04” and “54”), report the unadjusted flow rate in units of scfh (wet-basis). Report flow rate to the appropriate number of decimal places per Table 18. For missing data hours, leave this field blank (this includes hours in which the flue gases are discharged through an unmonitored bypass stack).

If a start-up or shut-down hour results in a stack flow rate that is too low to be registered by the stack flow monitor, you may report a default minimum stack flow rate of 1,000 scfh. Report an MODC of “55” for the hour. Manual entry of this MODC is permitted.

Adjusted Hourly Value (*AdjustedHourlyValue*)

Leave this field blank for parameters CO₂C, H₂O, and O₂C.

SO₂ Concentration

For each hour in which you obtain quality-assured values, apply the appropriate bias adjustment factor (BAF) to the rounded average SO₂ concentration for the hour. Report the adjusted SO₂ concentration for the hour in ppm and round the resulting value to the appropriate number of decimal places per Table 18.

Note that for an initial certification, analyzer replacement, or complete monitoring system replacement (as indicated by reporting a QA AND CERTIFICATION EVENT record with a QACertificationEventCode value of “100,” “101,” “120,” or “125”), if you are using conditional data validation, the BAF is uncertain during the conditional data period. Therefore, apply a BAF of 1.000 from the beginning of the conditional data validation period to the completion hour of the certification or recertification RATA.

For each hour in which you use missing data procedures, report the substitute data value.

For each hour in which the flue gases are routed through an unmonitored bypass stack, or when the outlet SO₂ monitor is unavailable and proper operation of the emission controls is not verified, you may either report the MPC in this field or, if data are available from a certified inlet monitor, report the bias-adjusted SO₂ concentration measured by the monitor.

For each hour in which only very low sulfur fuel (as defined in §72.2) is combusted, report the bias-adjusted hourly average SO₂ concentration, unless it is less than 2.0 ppm, in which case, report “2.0 ppm.”

For each hour in which a default high range value is used in the calculation of the hourly average SO₂ concentration, report the bias-adjusted hourly average in this field unless application of the BAF causes the hourly average to exceed 200 percent of the MPC, in which case, report 200 percent of the MPC.

When a full-scale exceedance of the high range occurs and 200 percent of the range is used in the calculation of the hourly average SO₂ concentration, report the bias-adjusted hourly average in this field unless application of the BAF causes the hourly average to exceed 200 percent of the range, in which case, report 200 percent of the range.

Refer to the Part 75 Emissions Monitoring Policy Manual for a further discussion of overscaling and use of the default high range value.

NO_x Concentration

Report data in this field only if you use NO_x concentration times stack flow rate to determine NO_x mass emissions. Leave this field blank if you do not have a NO_x concentration system.

For each hour in which you obtain a quality-assured value, apply the appropriate adjustment factor (1.000 or system BAF) to the rounded average NO_x concentration for the hour. Report the adjusted average NO_x concentration for the hour in ppm and round the resulting value to the appropriate number of decimal places per Table 18.

Note that for an initial certification, analyzer replacement, or complete monitoring system replacement (as indicated by reporting a QA AND CERTIFICATION EVENT record with a QACertificationEventCode value of “100,” “101,” “120,” or “125”), if you are using conditional data validation, the BAF is uncertain during the conditional data period. Therefore, apply a BAF of 1.000 from the beginning of the conditional data validation period to the completion hour of the certification or recertification RATA.

For each hour in which NO_x concentration is missing, report the substitute NO_x concentration value.

For each hour in which a default high range value is used in the calculation of the hourly average NO_x concentration, report the bias-adjusted hourly average in this field, unless it exceeds 200 percent of the MPC, in which case, report 200 percent of the MPC.

When a full-scale exceedance of the high range occurs and 200 percent of the range is used in the calculation of the hourly average NO_x concentration, report the bias-adjusted hourly average in this field, unless it exceeds 200 percent of the range, in which case, report 200 percent of the range.

For units with add-on NO_x emission controls, if you report data from a certified NO_x monitor at the control device inlet during hours in which the outlet NO_x monitor is unavailable and proper operation of the emission controls is not verified, report the average, bias-adjusted NO_x concentration recorded by the monitor. Include these hours in the missing data lookbacks and treat them as available hours in the PMA calculations.

Volumetric Flow

For hours in which quality-assured data are obtained, apply the appropriate bias adjustment factor (1.000 or BAF) to the rounded quality-assured value and report the adjusted stack flow for the hour. Report the resulting value to the appropriate precision according to Table 18. For each hour in which missing data procedures are used to report data, report the substitute data value. When the flue gases are discharged through an unmonitored bypass stack, report the appropriate substitute data value for flow rate (under §75.33) in this field. Do not leave this field blank.

Note that for an initial certification, analyzer replacement, or monitoring system replacement (as indicated by reporting a QA AND CERTIFICATION EVENT record with a QACertificationEventCode value of “300” or “305”), if you are using conditional data validation, the BAF is uncertain during the conditional data period. Therefore, apply a BAF of 1.000 from the beginning of the conditional data validation period to the completion hour of the certification or recertification RATA.

Table 18: Precision of Reported Values for *Monitor Hourly Value Data*

| Parameter Codes | Required Precision* |
|-----------------|---------------------|
| CO2C, H2O, O2C | One Decimal Place |
| NOXC, SO2C | One Decimal Place |
| FLOW | Nearest 1,000 scfh |

* All substitute data values should be rounded to the same precision as quality-assured data.

MODC Code (*MODCCode*)

Report the appropriate method of determination code (MODC) to identify the type of monitoring system or value used to measure and report the concentration or stack flow for the hour. For CEMS, manual entry of MODCs “16,” “17,” and “21” is permitted. EPA has reserved codes “01” through “55.” Codes “56” through “99” may be used by vendors and companies for other purposes but must not be reported in a quarterly report.

Table 19: MODC Codes and Descriptions for *MHV*

| Code | Parameters | Description |
|------|------------------------------|--|
| 01 | All | Primary Monitoring System (and Primary Bypass (PB)) |
| 02 | All | Redundant Backup or Regular Non-Redundant Backup Monitoring System |
| 03 | All | Approved Alternative Monitoring System |
| 04 | All | Reference Method Backup System |
| 05 | SO2C | Preapproved Parametric Monitoring Method Data for Controlled Units |
| 06 | All | Average Hour Before/Hour After |
| 07 | All | Initial Missing Data (§75.31) |
| 08 | CO2C NOXC SO2C FLOW | 90 th Percentile Value in Lookback Period (SO2C and CO2C) <u>or</u> 90 th Percentile Value in Lookback Period in Corresponding Load Bin (NOXC and FLOW) |
| | H2O | 90 th <u>or</u> 10 th Percentile Value in Lookback Period |
| | O2C | 10 th Percentile Value in Lookback Period |
| 09 | CO2C NOXC SO2C FLOW | 95 th Percentile Value in Lookback Period (SO2C and CO2C) <u>or</u> 95 th Percentile Value in Lookback Period in the Corresponding Load Bin (NOXC and FLOW) |
| | H2O | 95 th <u>or</u> 5 th Percentile Value in Lookback Period |
| | O2C | 5 th Percentile Value in Lookback Period |
| 10 | All | Maximum (or Minimum for O ₂ or H ₂ O, if applicable) Hourly Value in Lookback Period (SO2C, CO2C, O2C, and H2O) <u>or</u> Maximum Value in Lookback Period in Corresponding Load Bin (NOXC and FLOW) |
| 11 | NOXC FLOW | Average Hourly Value in Load Range in Lookback Period |

| Code | Parameters | Description |
|------|---|--|
| 12 | All | Maximum (or Minimum for O ₂ or H ₂ O, if applicable) Potential Concentration (MPC) or Flow Rate (see Section 2.1 of Appendix A to Part 75) |
| 13 | SO ₂ C NO ₂ C | Maximum Expected Concentration (MEC) (see §75.34(a)(5)) |
| 15 | SO ₂ C NO ₂ C | 1.25 times the maximum hourly controlled concentration at the corresponding load or operation bin, in the applicable lookback period (see §75.34(a)(5)) |
| 16 | SO ₂ C | SO ₂ Concentration Value of 2.0 ppm during hours when very low sulfur fuels are combusted. These hours are included in missing data lookback and are treated as available hours for percent availability calculation. |
| 17 | CO ₂ C NO ₂ C O ₂ C SO ₂ C | Temporary Like-Kind Replacement Analyzer |
| 18 | NO ₂ C SO ₂ C | Maximum Potential Concentration (MPC) used to determine the hourly average for the portion of the hour when a high range monitor was unavailable due to an expired linearity or daily calibration error test (See Policy Question 9.20) |
| 19 | NO ₂ C SO ₂ C | 200 percent of MPC; Default High Range Value. These hours <u>are</u> included in missing data lookback and are treated as available hours for percent availability calculations. |
| 20 | CO ₂ C NO ₂ C O ₂ C SO ₂ C FLOW | 200 percent of the full-scale range setting (or diluent cap for O ₂) when there is full-scale exceedance of high range. These hours <u>are</u> included in missing data lookback and are treated as available hours for percent availability calculations. |
| 21 | CO ₂ C H ₂ O NO ₂ C SO ₂ C | Negative Hourly Average Concentration Replaced with Zero |
| 22 | NO ₂ C SO ₂ C | Concentration from a certified monitor at the control device inlet, when exhaust gases are routed through an unmonitored bypass stack, or when the outlet monitor is unavailable and proper operation of the emission controls is not verified. These hours are included in missing data lookback and are treated as available hours for percent availability calculations. |
| 23 | NO ₂ C SO ₂ C CO ₂ C | MPC when flue gases are routed through an unmonitored bypass stack. These hours are considered to be missing data hours. |
| 24 | NO ₂ C | MEC of NO _x when flue gases are routed through an unmonitored bypass stack and the add-on NO _x emission controls are confirmed to be operating properly. |
| 46 | CO ₂ C NO ₂ C O ₂ C FLOW | Missing data hour on a NO _x R system where the NO _x concentration or diluent concentration is missing for an hour, missing data hour for O ₂ components only used to determine derived CO ₂ concentration or derived H ₂ O values, or missing data hour for CO ₂ , O ₂ , or FLOW components only used to determine MATS emission rates. |
| 47 | CO ₂ C NO ₂ C O ₂ C | NO _x concentration and diluent concentration available, but not used to determine NO _x emission rate. Note: Applicable only to combined-cycle turbines with primary and primary bypass NO _x -diluent systems designated under a single monitoring location and operating in the same hour. (See Policy Manual Question 16.5) |

| Code | Parameters | Description |
|------|---------------------|--|
| 48 | CO2C NOXC O2C | Missing data hour on a NOXR system where the NO _x concentration or diluent concentration is missing for an hour. Note: Applicable only to combined-cycle turbines with primary and primary bypass NO _x -diluent systems designated under a single monitoring location and operating in the same hour. (See Policy Manual Question 16.5) |
| 53 | All | Other quality-assured methodologies approved through petition. These hours are included in the missing data lookback and are treated as available hours for percent monitor availability calculations. |
| 54 | All | Other quality-assured methodologies approved through petition by EPA. These hours are included in missing data lookback and are treated as available hours for percent availability calculations. |
| 55 | All | Other substitute data approved through petition by EPA. These hours are <u>not</u> included in missing data lookback and are treated as unavailable hours for percent availability calculations. |

SO₂ Concentration

When very low sulfur fuel is combusted, if a negative SO₂ concentration is replaced (in the Unadjusted Hourly Value field) with a value of zero ppm and the 2.0 ppm default SO₂ concentration is reported in the Adjusted Hourly Value field, report MODC “16,” rather than “21” for that hour.

NO_x Concentration

Note that MODCs “06” through “12,” “23,” “24,” and “55” apply only when a separately certified NOXC monitoring system is defined in the monitoring plan and is used to calculate NO_x mass, and do not apply when only a NO_x-diluent monitoring system is defined.

MODC “46” only applies to monitoring locations with only a NO_x-diluent system.

MODC “47” and “48” only apply to combined-cycle turbines with primary and primary bypass NO_x-diluent monitoring systems designated under a single monitoring location and operating in the same hour.

CO₂ Concentration

MODCs “06” through “12” apply only when a CO₂ monitor is used for heat input rate or CO₂-mass determinations.

MODC “46” applies to CO₂ monitors that are only used to calculate NO_x emission rates or MATS emission rates.

MODC “47” and “48” only apply to combined-cycle turbines with primary and primary bypass NO_x-diluent monitoring systems designated under a single monitoring location and operating in the same hour.

O₂ Concentration

MODCs “06” through “12” apply only when a separately certified O₂ monitoring system is defined in the monitoring plan and is used exclusively for heat input rate determinations in accordance with Equation F-17 or F-18 in Appendix F to Part 75.

MODC “46” applies to O₂ monitors that are only used to calculate NO_x emission rate, O₂ monitors used only to determine derived CO₂ concentration or hourly moisture, or O₂ monitors only used to determine MATS emission rates.

MODC “47” and “48” only apply to combined-cycle turbines with primary and primary bypass NO_x-diluent monitoring systems designated under a single monitoring location and operating in the same hour.

Monitoring System ID (*MonitoringSystemID*)

Note that hours in which the flue gases are discharged through an unmonitored bypass stack are considered to be missing data hours.

For quality-assured data hours, report the ID of the monitoring system from which the concentration or stack flow was recorded, as follows: (Refer to Tables 10-16 for specific situations other than quality-assured data hours that may require the reporting of monitoring system IDs). If the unit has more than one system for a parameter (i.e., a primary and a backup), report the ID of the primary system. In cases where a bypass stack is represented by a system, report the ID of the appropriate system to which the missing data hour should be attributed.

SO₂ Concentration

For quality-assured data hours, report the ID of the Monitoring System from which the concentration value was recorded. Also, report the SO₂ concentration Monitoring System ID for the monitoring system in use at the time of any of the following occurrences: (1) when you report the 2.0 ppm default value for an hour during which very low sulfur fuel (as defined in §72.2) is combusted and the bias-adjusted hourly average SO₂ concentration is below 2.0 ppm; or (2) when you use a default high range value of 200 percent of the MPC in the calculation of the hourly average SO₂ concentration; or (3) when a full-scale exceedance of the high range occurs and you use a value of 200 percent of the range in the calculation of the hourly average SO₂ concentration. In these cases, the hours are treated as quality-assured monitor operating hours. Each of these occurrences is included in missing data lookback and is counted as an available hour for percent monitor data availability calculations.

If a like-kind replacement non-redundant backup analyzer is used during a period of maintenance or repair of the primary analyzer (see §75.20(d)), report the primary Monitoring System ID.

Volumetric Flow

If a full-scale exceedance occurs and you use a value of 200 percent of the range in the calculation of the hourly average flow rate, report the Monitoring System ID of the monitoring system which is in use at the time of the occurrence. Treat such hours as though they are quality-assured monitor operating hours for Part 75 purposes; include them in missing data lookback and count them as available hours for percent monitor data availability calculations.

NO_x Concentration

If the NO_x analyzer is only part of a NO_x emission rate system and not part of any NO_x concentration system, leave this field blank.

Otherwise, report the System ID for the NO_x concentration system.

When reporting a default high range value of 200 percent of the MPC or when reporting a value of 200 percent of the range during a full-scale exceedance of the high range, report the System ID of the monitoring system in use at the time of the occurrence of the full-scale exceedance.

If a like-kind replacement non-redundant backup analyzer is used during a period of maintenance or repair of the primary analyzer (see §75.20(d)), report the primary Monitoring System ID.

CO₂ Concentration

If the CO₂ analyzer is only part of a NO_x emission rate system, leave the System ID blank.

Otherwise, report the applicable System ID for the CO₂ monitoring system defined in the monitoring plan.

Report the Monitoring System ID of the monitoring system in use whenever a full-scale exceedance value of 200 percent of the range is used in the calculation of the hourly average CO₂ concentration. Treat such hours as though they are quality-assured monitor operating hours for Part 75 purposes; include them in missing data lookback and count them as available hours for percent monitor data availability calculations.

If a like-kind replacement non-redundant backup analyzer is used during periods of maintenance and repair of the primary analyzer (see §75.20(d)), report the primary Monitoring System ID.

O₂ Concentration

If the O₂ analyzer is only part of a NO_x emission rate system (and/or an H₂O system), leave the System ID blank and use only component IDs to identify the origin of the O₂ concentration values. Otherwise, report the applicable System ID as follows:

- a) If the O₂ concentration is from an O₂ component of an O₂ monitoring system (used to determine hourly heat input rate), report the System ID for the O₂ monitoring system. (Note: the data will be QA'd by an O₂ RATA.)
- b) If the O₂ concentration is from an O₂ component that is part of a CO₂ monitoring system (used for determining CO₂ concentration, CO₂ mass, and hourly heat input rate), report the System ID for the CO₂ monitoring system. (Note: the data will be QA'd by a CO₂ RATA.)

(Note that when either the wet or the dry O₂ component is part of either an O₂ or CO₂ monitoring system, that component will be reported using the applicable monitoring system as described in (a) and (b) above.)

H₂O Concentration

Report the H₂O System ID for every hour.

Component ID (*ComponentID*)

For each hour of quality-assured data from a CEMS or from a stack gas flow rate system (except for 2-component systems, as noted below), identify the component used during the hour. If the component in use during the hour was a like-kind component, be sure to report the ID of the like-kind component. Refer to Tables 10-16 for specific situations other than quality-assured data hours that may require the reporting of monitoring component IDs. Note that hours in which the flue gases are discharged through an unmonitored bypass stack are considered to be missing data hours.

If a temporary like-kind replacement analyzer is used during periods of maintenance and repair of the primary analyzer (see §75.20(d)), assign and report a unique Component ID number (beginning with the prefix “LK” as defined in the COMPONENT DATA record, e.g., “LK1”) for the like-kind replacement analyzer. The like-kind replacement analyzer Component ID may be manually entered. Note that the LK component must also be identified in the monitoring plan as a monitoring component of the primary monitoring system, and a MODC of “17” must be reported for each hour in which the analyzer provides valid data.

If you determine hourly stack flow rate by averaging (or subtracting) the readings from two flow components which are identified as components of the same monitoring system, leave this field blank. If the hourly flow rate is a substitute data value, leave this field blank. This includes hours in which the flue gases are discharged through an unmonitored bypass stack.

Percent Available (*PercentAvailable*)

If applicable for the parameter, report the percent monitor data availability to one decimal place for each hour.

SO₂ Concentration

For units with add-on SO₂ emission controls:

- a) If you report the MPC for hours in which the flue gases are routed through an unmonitored bypass stack, or when the outlet SO₂ monitor is unavailable and proper operation of the emission controls is not verified, do not include these hours in the calculation of percent monitor data availability. Treat these hours as missing data hours.
- b) If you report data from a certified inlet monitor during hours in which the flue gases are routed through an unmonitored bypass stack, or when the outlet SO₂ monitor is unavailable and proper operation of the emission controls is not verified, include these hours in the missing data lookbacks and treat them as available hours in the PMA calculations.

NO_x Concentration

Report data in this field only if you use NO_x concentration times stack flow as the primary methodology for NO_x mass calculations for all hours. Report the percent monitor data availability for each hour.

CO₂ Concentration

Report percent monitor data availability for CO₂ concentration only when the CO₂ value is used for determining CO₂ mass rate or heat input rate.

O₂ Concentration

Report percent monitor data availability for O₂ concentration only when the O₂ value is used for determining heat input rate.

Moisture (H₂O)

If you use the standard moisture missing data procedures in §75.37, which are based on percent availability, calculate and report the moisture percent data availability for each operating hour.

Moisture Basis (*MoistureBasis*)

Leave this field blank unless you use wet and dry O₂ values to determine hourly moisture.

Since you are required to report separate hourly MHV records for each parameter (i.e., for wet basis O₂ and dry basis O₂), report one of the following uppercase codes to indicate the moisture basis of the hourly O₂ reading.

Table 20: Moisture Basis Codes and Descriptions for *MHV*

| Code | Description |
|------|-------------|
| D | Dry |
| W | Wet |

2.6.1.1 MATS Monitor Hourly Value Data

MATS Monitor Hourly Value Data Overview

If your EGU is subject to the MATS Rule (40 CFR Part 63, Subpart UUUUU), use the MATS MONITOR HOURLY VALUE DATA (MMHV) record to report each parameter (i.e., hazardous air pollutant (HAP)) that is measured by a continuous emission monitoring system (CEMS) or a sorbent trap monitoring system. The monitored parameters that are required to be reported using the ECMPS Client Tool may include Hg concentration, HCl concentration, and/or HF concentration. These instructions contain a subsection for each measured parameter, in order to give specific direction on how to report for that parameter. Other parameters applicable to MATS that are also required to be reported according to Part 75, such as SO₂, CO₂/O₂ concentration, stack gas flow rate, and moisture, are reported using the MONITOR HOURLY VALUE DATA (MHV) record.

Note: If you use the low-emitting EGU (LEE) methodology for Hg, you are not required to report hourly Hg concentration data.

Hg Concentration

If you measure the hourly average Hg concentration using a CEMS or sorbent trap monitoring system, report a MMHV record for each hour of unit operation-- including hours when a quality-assured Hg concentration value is not obtained.

There are no missing data substitution requirements or bias adjustment requirements for Hg concentration in Appendix A of Subpart UUUUU.

HCl and HF Concentration

If you measure the hourly average HCl and/or HF concentration using CEMS, report a MMHV record for each hour of unit operation—including hours when a quality-assured HCl or HF concentration value is not obtained.

There are no missing data substitution requirements or bias adjustment requirements for HCl or HF concentration in 40 CFR 63, Subpart UUUUU, Appendix B.

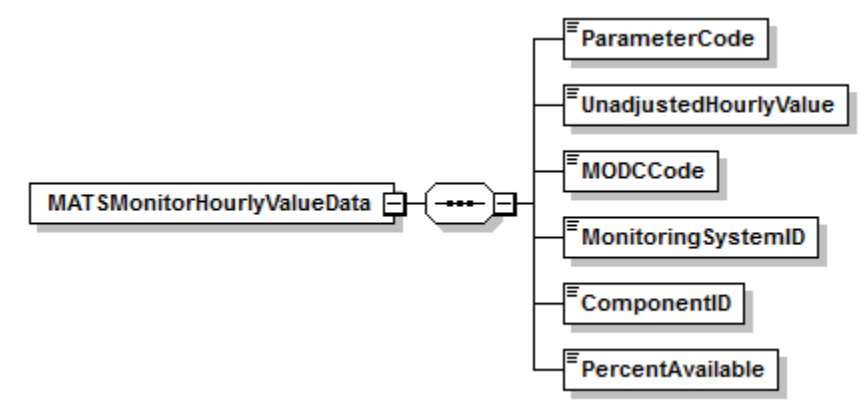
The MMHV elements to be reported are summarized in the table below.

Table 21: MMHV Elements for HGC, HCLC and HFC

| MMHV Elements to Report | Measured | Unavailable |
|--------------------------------|-----------------|--------------------|
| Parameter Code | ✓ | ✓ |
| Unadjusted Hourly Value | ✓ | |
| MODC | ✓ | ✓ |
| Monitoring System ID | ✓ | ✓ |
| Component ID | ✓ | ✓ |
| Percent Available | ✓ | ✓ |

MATS Monitor Hourly Value Data XML Model

Figure 13: MATS Monitor Hourly Value Data XML Elements



MATS Monitor Hourly Value Data XML Elements

Parameter Code (*ParameterCode*)

Report the Parameter Code that corresponds to the parameter monitored at the location defined by the Stack Pipe ID or Unit ID. Use the appropriate uppercase code as shown in the table below.

Table 22: Parameter Codes and Descriptions for the MMHV Data Record

| Code | Description |
|------|---------------------------|
| HGC | Hg Concentration (µg/scm) |
| HCLC | HCl concentration (ppm) |
| HFC | HF concentration (ppm) |

Unadjusted Hourly Value (*UnadjustedHourlyValue*)

Report the unadjusted concentration for the hour. See below for parameter-specific instructions.

Hg Concentration

Report the quality-assured, unadjusted Hg concentration for the hour (obtained with an Hg CEMS or sorbent trap monitoring system, as applicable), expressed in µg/scm using scientific notation. For example, “0.0144 µg/scm” should be reported as “1.4E-2.” The “E” must be capitalized, and the field must not contain spaces in between the characters. Report only one leading non-zero digit to the left of the decimal point, and one digit after the decimal point. Do not use “plus” characters after the “E” when reporting concentrations greater than or equal to one. For example, “1.44 µg/scm” should be reported as “1.4E0.” For sorbent trap monitoring systems, report the same Hg concentration value for each hour of the sample collection period, except for “transition hours” (see “Specific Considerations,” below). For data prior to September 9, 2020, report the Hg concentration in scientific notation rounded to three significant figures. For example, if the concentration is 0.159 µg/scm, report 1.59E-1.

Leave this field blank when a quality-assured Hg concentration value is not available.

HCl and HF Concentration

Report the quality assured, unadjusted HCl or HF concentration for the hour (as applicable) expressed in ppm using scientific notation, as shown above for Hg concentration. Leave this field blank when a quality-assured HCl or HF concentration value is not available. For data prior to September 9, 2020, report the HCl or HF concentration in scientific notation rounded to three significant figures. For example, if the concentration is 0.159 µg/scm, report 1.59E-1.

MODC Code (MODCCode)

Report the appropriate method of determination code (MODC) to identify the type of monitoring system or value used to measure and report the Hg, HCl, or HF concentration for the hour. For CEMS, entry of MODCs “17” and “21” is permitted. For sorbent trap monitoring systems, entry of MODCs 01, 02, 32, 33, 34, 35, 41, 42, 43 and 44 is permitted. EPA has reserved codes “01” through “55.” Codes “56” through “99” may be used by vendors and companies for other purposes but must not be reported in a quarterly report.

Table 23: MODC Codes and Descriptions for MMHV

| Code | Parameters | Description |
|------|----------------|--|
| 01 | All | Primary Monitoring System |
| 02 | All | Redundant Backup or Regular Non-Redundant Backup Monitoring System |
| 17 | HGC, HCLC, HFC | Temporary Like-Kind Replacement Analyzer (CEMS only) |
| 21 | HGC, HCLC, HFC | Negative Hourly Average Concentration Replaced with Zero (CEMS only) |
| 32 | HGC | Hourly Hg concentration determined from analysis of a single sorbent trap multiplied by a factor of 1.111 |
| 33 | HGC | Hourly Hg concentration determined from the sorbent trap with the higher Hg concentration (relative deviation criterion for the paired traps is not met) |
| 34 | HGC, HCLC, HFC | Hourly Hg, HCl, or HF concentration missing or invalid |
| 35 | HGC, HCLC, HFC | Hourly Hg, HCl, or HF concentration not monitored (flue gases routed through an unmonitored bypass stack) |
| 41 | HGC | Hourly Hg concentration determined from two different pairs of sorbent traps from the same system during the hour. This code applies only to routine sorbent trap change outs during normal, day-to-day operation of the sorbent trap monitoring system. |
| 42 | HGC | Hourly Hg concentration determined from two different pairs of sorbent traps during the hour. This code applies only to sorbent trap change outs that occur during RATA test periods. |
| 43 | HGC | Hourly Hg concentration reported as method detection level when the sorbent trap concentration reading is below the method defined analytical detection level (see 63.10007(e)(1)) |
| 44 | HGC | Hourly Hg concentration determined from analysis of a single sorbent trap which reports the method detection level, multiplied by a factor of 1.111 in cases where the other trap was accidentally lost, damaged, or broken and could not be analyzed |

Hg, HCl, and HF Concentration

For an Hg, HCl, or HF CEMS or sorbent trap system, report all valid hourly concentration values using a MODC of “01” (or “02” if using a backup system).

If the hourly concentration is unavailable or invalid, report MODC “34” in the MMHV record for concentration and MODC “38” in the MDHV record for emission rate.

If the hourly concentration is below the method detection level, report the method detection level as the measured emissions level and report a MODC of “43” for either trap with a concentration below the method detection level. Report a MODC of “44” if one trap in a paired train meets the criteria to report the method detection level and the second trap is accidentally lost, damaged, or broken and could not be analyzed.

For sorbent trap monitoring systems, report the same MODC for each hour of the sample collection period except for “transition” hours when sorbent traps are changed out and data from more than one set of sorbent traps are used to calculate the Hg concentration. For routine trap change outs during normal, day-to-day operation of the sorbent trap monitoring system, report an MODC of “41” to indicate quality assured data hours during trap change out. For trap change outs that occur during RATA test periods, report an MODC of “42” to indicate quality assured data hours during RATA testing.

Monitoring System ID (*MonitoringSystemID*)

For quality-assured data hours, report the ID of the monitoring system from which the Hg, HCl, or HF concentration value was determined.

If a temporary like-kind replacement analyzer is used during a period of maintenance or repair of the primary Hg, HCl, or HF analyzer, report the primary monitoring system ID for each hour of quality-assured data obtained with the replacement analyzer.

Component ID (*ComponentID*)

For each hour of quality-assured data from an Hg, HCl, or HF CEMS, identify the component used during the hour. For sorbent trap monitoring systems, leave this field blank for all operating hours. Note that hours in which the flue gases are discharged through an unmonitored bypass stack are considered to be data unavailable hours.

If a temporary like-kind replacement analyzer is used during periods of maintenance and repair of the primary analyzer, assign and report a unique Component ID number (beginning with the prefix “LK” as defined in the COMPONENT DATA record, e.g., “LK1”) for the like-kind replacement analyzer (see section 2.2.3 of Appendix A and section 2.2 of Appendix B to Subpart UUUUU). The like-kind replacement analyzer Component ID may be manually entered. Note that the LK component must also be identified in the monitoring plan as a monitoring component of the primary monitoring system, and a MODC of “17” must be reported for each hour in which the analyzer provides valid data.

Percent Available (*PercentAvailable*)

You must calculate and report the percent monitor data availability (PMA) for Hg, HCl, or HF concentration (as applicable) according to §75.32, for both Hg CEMS and sorbent trap monitoring systems (see Subpart UUUUU, Appendix A, sections 7.1.3.5, 7.1.4.8, and 7.2.5.3.3 and Appendix

B, section 10.1.3.5). Hours with reported MODC values of 32 or 33 are “data available” hours for Hg concentration. Hours with reported MODC values of 34 and 35 are “data unavailable” hours.

Specific Considerations

Sorbent Trap Systems

- Report the sorbent trap results for each operating hour during the collection period (including hours during which sampling occurred during any portion of the hour). If more than one set of traps are used during an hour, EPA recommends that you report the average concentration (straight average or time weighted) for all traps used during that hour. Do not average concentrations from traps from two separate systems.
- The installation of a sorbent trap system nullifies the option to report a non-operating file during the quarter in which the trap was installed.

2.6.2 Derived Hourly Value Data

Derived Hourly Value Data Overview

Submit a DERIVED HOURLY VALUE DATA (DHV) record for each overall parameter value determined at this monitoring location for each operating hour (or partial hour). This includes emissions values calculated from continuous emissions monitoring (CEM) data, as well as the overall NO_x emission rate determined using Appendix E, the overall mass emission rates and heat input rate determined using Appendix D and Appendix G, and the hourly value for each parameter determined using the low mass emissions (LME) provisions. For hours in which the unit or stack did not operate, do not report this record. Derived emissions values include SO₂ mass (lb) or mass rate (lb/hr), NO_x emission rate, NO_x mass or mass rate, calculated H₂O concentration, calculated CO₂ concentration, Heat Input or Heat Input rate, and CO₂ mass or mass rate values. Reporting instructions for each of the derived parameters are described in detail below.

For CEM Methods

Derived Hourly Heat Input Rate (mmBtu/hr)

For each unit or stack with a stack flow monitor and diluent monitor, report the calculated heat input rate in the AdjustedHourlyValue element of a DHV record. If you monitor heat input rate and report this record at a common stack, also apportion the heat input rate measured at the common stack to the individual units (i.e., report additional DHV records for heat input rate under the associated Unit IDs). If you monitor heat input rate and report this record at multiple stacks, also report the heat input rate for the unit in an additional DHV record.

Derived SO₂ Hourly Mass Emission Rate (lb/hr)

For each unit or stack with an SO₂ CEMS (or using the F23 methodology per §75.11(e)(1)), report the calculated SO₂ mass emission rate in the AdjustedHourlyValue element of a DHV record.

If you monitor SO₂ mass emission rate and report this record at a common stack, do not apportion the SO₂ mass emission rate measured at the common stack to the individual units (i.e., do not report any additional DHV records under the associate Unit IDs).

If, for a particular unit, you monitor SO₂ mass emission rate at multiple stacks (or ducts), do not report the combined SO₂ mass emission rate for the unit (i.e., do not report any unit-level DHV records).

Derived NO_x Hourly Emission Rate (lb/mmBtu)

For each unit or stack with a NO_x emission rate CEMS, report the calculated NO_x emission rate in the UnadjustedHourlyValue element and the bias-adjusted emission rate in the AdjustedHourlyValue element of a DHV record. If you monitor NO_x emission rate and report this record at a common stack, do not apportion the NO_x emission rate measured at the common stack to the individual units (i.e., do not report any additional DHV records under the associated Unit IDs).

If, for a particular unit, you monitor NO_x emission rate at multiple stacks (or ducts), calculate the heat-input weighted hourly emission rate for the unit, but do not report those hourly unit level values (i.e., do not report any unit-level DHV records for NO_x emission rate). Rather, only use

them to calculate the quarterly and cumulative NO_x emission rates for the unit. Report these quarterly and cumulative values in the unit-level SUMMARY VALUE DATA record.

For a combined-cycle turbine that uses a multiple-stack configuration, report separate stack-level DHV records for each hour in which there is both main stack and bypass stack operating time. Then, calculate a time-weighted unit-level NO_x emission rate for each hour, as described in the SUMMARY VALUE DATA record instructions. Store, but do not report, these time-weighted, hourly unit-level emission rates. Rather, only use them to calculate the quarterly and cumulative unit-level NO_x emission rates.

For Derived NO_x Mass Emission Rate (lb/hr)

For each unit, stack, or pipe at which NO_x mass emissions are measured or estimated, submit a DHV record, for every hour in the reporting period that the unit or stack operates.

If you monitor NO_x mass emissions and report this record at a common stack, do not apportion the NO_x mass emissions measured at the common stack to the individual units (i.e., do not report any additional DHV records under the associated Unit IDs), unless the units are required to report NO_x mass emissions under subpart GGGGG of 40 CFR Part 97.

For units subject to subpart GGGGG of 40 CFR Part 97 where NO_x mass emissions are monitored at a common stack and apportioned to the units, unit level NO_x mass emissions DHV records are required for every unit operating hour.

If, for a particular unit, NO_x mass emissions is monitored at multiple stacks (or ducts), do not report the combined hourly NO_x mass emissions for the unit (i.e., do not report any unit-level DHV records for NO_x mass rate).

Derived CO₂ Mass Emission Rate (tons/hr)

For any operating hour (or partial hour) for each unit, stack, or pipe at which CO₂ emissions are monitored using CEMS, including the use of O₂ CEMS, report CO₂ mass emission rate in a DHV record.

If you monitor CO₂ mass emission rate and report this record at a common stack, do not apportion the CO₂ mass emission rate measured at the common stack to the individual units (i.e., do not report any additional DHV records under the associated unit IDs).

If, for a particular unit, CO₂ mass emission rate is monitored at multiple stacks (or ducts), do not report the combined CO₂ mass emission rate for the unit (i.e., do not report any unit-level DHV records).

Derived CO₂ Concentration

For any operating hour (or partial hour) for each unit or stack at which CO₂ concentration is determined by calculating it from O₂ readings, report the derived CO₂ concentration value for each operating hour or partial operating hour in this record. Note that measured CO₂ concentration from a CO₂ system utilizing a CO₂ monitor should be recorded in the MONITOR HOURLY VALUE DATA (MHV) record.

Derived H₂O (Moisture) Value

For any operating hour (or partial hour) for each unit or stack at which moisture is determined by calculating it from wet and dry O₂ readings, report the derived moisture value for each operating hour or partial operating hour in this record.

Note that measured H₂O values from a moisture sensor or a temperature sensor and look-up table, if reporting for saturated gas streams, should be reported in the MHV record.

If you use a fuel-specific default moisture value, as allowed under §75.11 or §75.12 (for coal and wood-burning units and natural gas-fired boilers) and you have just one default value defined in your monitoring plan, do not report a MHV record or a DHV record on an hourly basis. However, if you have more than one active fuel-specific default moisture value defined in your monitoring plan, report the fuel-specific or pro-rated moisture value used in your emissions calculations in an H₂O DERIVED HOURLY VALUE DATA record with a Method of Determination Code (MODC) of “40” on an hourly basis.

Appendix D Methods

Heat Input

If you use Appendix D fuel flowmetering to determine heat input, report the heat input rate calculated for each fuel in the appropriate HOURLY PARAMETER FUEL FLOW DATA records. In addition, report the total heat input rate for the hour in a DHV record for the location. (You must report this record even if only one fuel was combusted during the hour.) If the fuel flowmetering is at a common pipe, also report the apportioned hourly heat input rate in a DHV record for each unit that is part of the common pipe.

SO₂

If you use Appendix D fuel flowmetering to determine SO₂, report the SO₂ mass emission rate calculated for each fuel in the appropriate HOURLY PARAMETER FUEL FLOW DATA record. In addition, report the total SO₂ mass emission rate for the hour in a DHV record for the location. (You must report this record even if only one fuel was combusted during the hour.) If the fuel flowmetering is at a common pipe, do not report hourly apportioned SO₂ for the units.

Appendix G Method for Hourly CO₂

If you use Equation G-4 to determine hourly CO₂, report the CO₂ mass emission rate calculated for each fuel in the appropriate HOURLY PARAMETER FUEL FLOW DATA record. In addition, report the total CO₂ mass emission rate for the hour in a DHV record. (You must report this record even if only one fuel was combusted during the hour.)

Appendix E Method for Hourly NO_x Emission Rate

If you use Appendix E to determine NO_x emission rate, report the overall NO_x emission rate for the hour in a DHV record. If you burn a single, consistent blend of fuels and established a single Appendix E curve for that fuel blend, report all the Appendix E related information in this DHV record. If you established a separate Appendix E curve for each fuel, report the fuel-specific NO_x emission rate data in the appropriate HOURLY PARAMETER FUEL FLOW DATA record and in addition, report the overall NO_x emission rate for the hour in a DHV record. (You must report this record even if only one fuel was combusted during the hour.)

Hourly NO_x Mass Rate Based on Appendix D Heat Input Rate

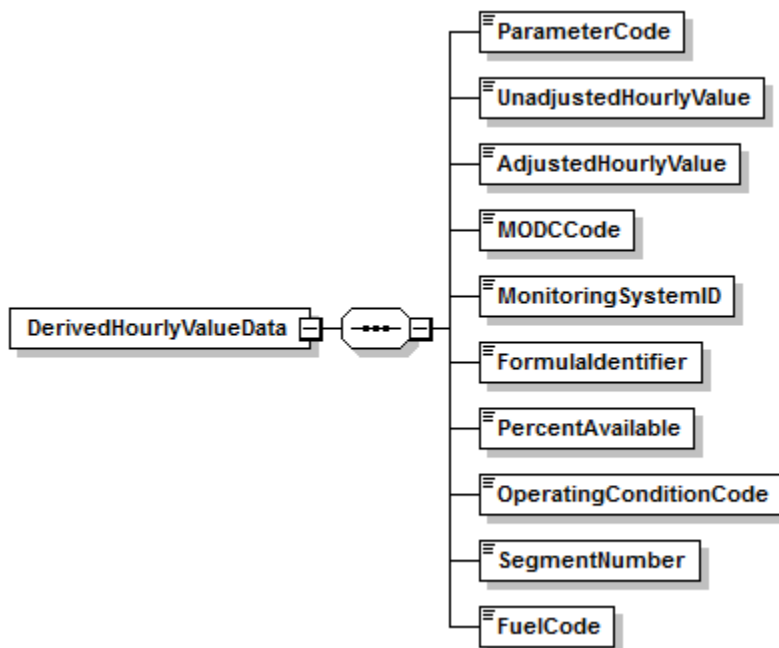
If you are required to report NO_x mass rate, calculate this value from the heat input rate and NO_x emission rate reported in the DHV record and report it in a DHV record.

LME Methods

For each parameter reported using the LME method, report a DHV record for each operating hour.

Derived Hourly Value Data XML Model

Figure 14: Derived Hourly Value Data XML Elements



Derived Hourly Value Data XML Elements

Parameter Code (*ParameterCode*)

Report the appropriate Parameter Code as shown in the table below.

Table 24: Parameter Codes and Descriptions for the DHV Data Record

| Code | Description |
|------|---|
| CO2 | CO ₂ Hourly Mass Emission Rate (tons/hr) |
| CO2C | CO ₂ Concentration (derived from O ₂ measurements) (% CO ₂) |
| CO2M | CO ₂ Hourly Mass (tons) (LME) |
| H2O | Moisture (from wet/dry O ₂ measurements) (%H ₂ O) |
| HI | Heat Input Rate (mmBtu/hr) |
| HIT | Heat Input Total (mmBtu) (LME) |
| NOX | NO _x Hourly Mass Emission Rate (lb/hr) |
| NOXM | NO _x Hourly Mass (lb) (LME) |

| Code | Description |
|------|---|
| NOXR | NO _x Emissions Rate (lb/mmBtu) |
| SO2 | SO ₂ Hourly Mass Rate (lb/hr) |
| SO2M | SO ₂ Hourly Mass (lb) (LME) |

Unadjusted Hourly Value (*UnadjustedHourlyValue*)

Report the unadjusted derived hourly value for the parameter specified, as follows:

NO_x Emission Rate from CEM

Calculate and report the NO_x emission rate (lb/mmBtu) based on the unadjusted NO_x concentration and unadjusted diluent (CO₂ or O₂) concentration recorded in the MHV record. Report the resulting value to the appropriate number of decimal places in Table 25. For hours in which you use missing data procedures leave this field blank, including hours in which the flue gases are discharged through an unmonitored bypass stack.

If you use Equation 19-3 or 19-5 to determine NO_x emission rate, you must use modified Equation 19-3D or 19-5D (as applicable) instead of Equation 19-3 or 19-5, for hours in which you use the diluent cap (see Table 29 “SO₂ Emission Formulas for the MATS Rule” in the MONITORING FORMULA DATA record in the Monitoring Plan Reporting Instructions).

All Other Parameters

Leave this field blank.

Adjusted Hourly Value (*AdjustedHourlyValue*)

Report the adjusted or “final” derived hourly value for the parameter specified.

SO₂ Mass Emission Rate (lb/hr)

For CEM methods, this value is normally derived using the bias-adjusted stack flow and the bias-adjusted SO₂ concentration (each reported in the MHV record), in conjunction with the appropriate equation in Appendix F to Part 75. However, for an hour in which a very low sulfur fuel (see §72.2) is combusted, the value may be calculated from a CEMS-derived heat input rate (i.e., from monitored stack flow rate, and diluent (CO₂ or O₂) concentration) and a default SO₂ emission rate using Equation F-23 (see §75.11(e)(1)).

For Appendix D units and pipes, report the total SO₂ mass emission rate for the location in this field. Use formula D-12 to combine SO₂ mass emission rates from multiple fuels (as reported in HOURLY PARAMETER FUEL FLOW).

Report all data for this element in lb/hr and to the appropriate number of decimal places per Table 25.

NO_x Mass Emission Rate (lb/hr)

If you use NO_x concentration times stack flow rate to determine NO_x mass emissions, use the bias-adjusted stack flow and the bias-adjusted NO_x concentration, (each reported in the MHV record), in conjunction with the appropriate equation in Appendix F to Part 75. If instead, NO_x mass emissions are calculated from the NO_x emission rate times heat input rate, use the adjusted NO_x

emission rate and adjusted heat input values as reported in the DHV record for each parameter. Report data for this element in lb/hr and to the appropriate number of decimal places per Table 25.

For units subject to subpart GGGGG of 40 CFR Part 97 where NO_x mass emissions are monitored at a common stack and apportioned to the units, use Equation F-28 to determine the unit level NO_x mass emissions rate (see Table 47 “NOX Mass Emissions Formulas (lbs/hr)” in the MONITORING FORMULA DATA record section of the Monitoring Plan Reporting Instructions).

NO_x Emission Rate (lb/mmBtu)

CEM Systems

For each hour in which you report NO_x emission rate in the UnadjustedHourlyValue element, apply the appropriate adjustment factor (1.000 or bias adjustment factor (BAF)) to the rounded average NO_x emission rate and report the adjusted NO_x emission rate for the hour. Report the resulting value to the appropriate number of decimal places per Table 25. Report the appropriate substitute data value for NO_x emission rate for each hour that a quality-assured emission rate is not obtained, including hours in which the flue gases are discharged through an unmonitored bypass stack. Do not leave this field blank.

Note that for an initial certification, analyzer replacement, or complete monitoring system replacement (as indicated by reporting a QA CERTIFICATION EVENT record with an Event Code of 100, 101, 120, 125, 151, 250, 255, 300 or 305), if you are using conditional data validation, the BAF is uncertain during the conditional data period. Therefore, apply a BAF of 1.000 from the beginning of the conditional data validation period to the completion hour of the certification or recertification RATA. For any other events that require a RATA, apply the BAF from their previous RATA during the conditional data period, unless that RATA failed or was aborted, in which case use 1.000.

For a combined-cycle combustion turbine (CT) using a multiple-stack configuration to report NO_x emission rate, use missing data substitution for any transition hour (i.e., an hour during which gases flow through both stacks), if either the main stack or bypass monitoring system is out of service, and draw the appropriate substitute data value from the bypass stack data pool.

If a full-scale exceedance of the low NO_x range occurs and you use a default high range value of 200 percent of the MPC in the calculation of the hourly average NO_x concentration reported in the MHV record, or if a full-scale exceedance of the high NO_x range occurs and you use a value of 200 percent of the range in the calculation of the hourly average NO_x concentration reported in the MHV record, use the reported NO_x concentration in conjunction with the quality-assured diluent concentration for the hour to calculate and report the NO_x emission rate. These hours are treated as quality-assured monitor operating hours; they are included in missing data lookback and are treated as available hours for percent monitor data availability calculations.

If a diluent concentration is unavailable during an hour in which a full scale exceedance of the NO_x analyzer occurs or an hour in which the default high range value is used, the NO_x emission rate for the hour is considered to be missing. In that case, do not report Monitor Hourly Value for NO_x concentration for this hour since the NO_x emission rate cannot be calculated; instead, report the maximum potential NO_x emission rate (MER) in this field, and use an MODC of “25.”

Appendix E Systems

Report the overall NO_x emission rate for the unit to the appropriate number of decimal places per Table 25. If this value was determined from a consistent fuel mix curve, also report the appropriate System ID for the Appendix E NO_x system. If a single fuel curve or curves were defined, report the fuel-specific NO_x emission rate in the appropriate PARAMETER FUEL FLOW DATA record(s), and report the combined NO_x emission rate for the unit in this record.

CO₂ Concentration (Derived from O₂ Concentration) (pct)

Report the CO₂ Concentration for the hour to the appropriate number of decimal places per Table 25. This is either the value calculated from a quality-assured O₂ concentration value (as reported in the MHV record), or the appropriate substitute data value, as specified in §75.35.

CO₂ Mass Emission Rate (tons/hr)

If you are using CEMS, this value is derived using the bias-adjusted stack flow and either the unadjusted CO₂ concentration reported in the MHV record (if you are using a CO₂ analyzer), or the CO₂ Concentration reported in the DHV record (if you are using an O₂ analyzer), in conjunction with the appropriate equation in Appendix F to Part 75.

For units using Appendix G, calculate and report, in PARAMETER FUEL FLOW DATA record(s), the CO₂ mass emissions (tons/hr) for each fuel separately using Equation G-4. Then use Equation G-4A (see Table 43 “CO₂ Concentration and Mass Emission Rate Formulas” in the MONITORING FORMULA DATA record section of the Monitoring Plan Reporting Instructions) to determine the combined CO₂ mass emission rate for the hour. Report the combined hourly CO₂ mass emission rate (tons/hr) in this field in the DHV record.

Report this element in tons per hour and to the appropriate number of decimal places per Table 25.

H₂O (Moisture) (pct)

Report moisture for the hour, expressed in %H₂O, rounded to one decimal place. Report the appropriate substitute data value for hours in which a quality-assured moisture percentage is unavailable or for hours in which the flue gases are discharged through an unmonitored bypass stack.

Heat Input (HI) Rate (mmBtu/hr)

Report this value in mmBtu per hour (mmBtu/hr) and to the appropriate number of decimal places per Table 25. If you use CEMS to determine hourly heat input rate, calculate the hourly rate using the diluent gas concentration, bias-adjusted hourly stack flow rate, percent moisture (if appropriate), and F-factor.

If you measure and report heat input rate at a common stack or pipe, also apportion and report heat input rate at the unit level. This apportionment should be based on megawatts, steam load, or fuel flow rate, using Equation F-21A, F-21B, or F-21D in Appendix F to Part 75, as applicable. These formulas use time-weighted hourly load to apportion the heat input rate measured at a common stack to the individual units.

For each hour, the sum of the individual heat inputs in mmBtu (i.e., the sum of the individual unit heat input rates, each multiplied by the corresponding unit operating time) must equal the total common stack heat input in mmBtu (i.e., the common stack heat input rate multiplied by the common stack operating time).

For a unit with a multiple stack configuration, with flow rate and diluent monitors on each stack, calculate the hourly heat input rate for the unit using Equation F-21C in Appendix F to Part 75. Also use Equation F-21C for multiple pipe configurations.

For each hour, the total unit heat input in mmBtu (i.e., the unit heat input rate multiplied by the unit operating time) must equal the sum of the individual stack (or pipe) heat inputs in mmBtu (i.e., the sum of the individual stack (or pipe) heat input rates, each multiplied by the corresponding stack (or pipe) operating time).

For Appendix D units combusting multiple fuels, report the hourly heat input rate calculated from all fuels in the DHV record. Report this record even if only one fuel was combusted during the hour.

For non-Acid Rain NO_x Budget Program units that use NO_x concentration times stack flow as the primary methodology to calculate NO_x mass emissions, report the hourly heat input rate unless you are specifically exempted (e.g., by a State SIP) from reporting it for allocation purposes. However, you must report unit operating time and load (except for non load-based units) for each hour in the HOURLY OPERATING DATA record, even if you are not required to report hourly heat input.

If, for any operating hour, the heat input rate is calculated to be less than one mmBtu/hr, substitute for that hour a value of one mmBtu/hr. Use an MODC of “26” for any such hours. This applies only to monitoring locations where CEMS are installed (i.e., where HI Rate is calculated using equation F-15, F-16, F-17, or F-18.) This does not apply to HI Rate calculated through Appendix D or apportionment.

In the rare event no units attached to the common stack generated load (Load = 0) during the hour, heat input should be apportioned by operating time.

Total Heat Input (HIT) (mmBtu)

Report this value in mmBtu for LME units and to the appropriate number of decimal places per Table 25.

LME Units

Report the value for each required parameter as total mass (or heat input) for the hour. Report each value to the appropriate number of decimal places per Table 25.

Table 25: Precision of Reported Values for Derived Hourly Value Data

| Parameter Codes | | Required Precision |
|--|---|----------------------|
| CO2, CO2C, CO2M, H2O, HI, HIT, NOX, NOXM, SO2M | | One decimal place |
| SO2 | For CEM and Appendix D burning only oil during hour | One decimal place |
| SO2 | Appendix D burning any gas during hour | Four decimal places |
| NOXR | | Three decimal places |

MODC Code (MODCCode)

For CEM methods for parameters CO2C, NOXR or H2O, report one of the following MODCs as shown in Table 26 to identify the monitoring system or missing data procedure used to report the derived value or when you were directed to report it for an approved alternative monitoring system. For parameter HI, use an MODC of “26” when the calculated Heat Input Rate is zero or negative and was therefore replaced with a value of 1.0. Report an MODC of “40” for parameter H2O when a fuel-specific or pro-rated default value is used in determining the derived value.

For all other parameters, leave this field blank.

NO_x Hourly Emission Rate

Report an MODC of “14” when the diluent cap value for CO₂ or O₂ is used in place of the measured value reported in the MHV records. Also, be sure that you register the appropriate diluent cap value for the unit in the MONITORING DEFAULT DATA record in the monitoring plan. A diluent cap value can only be used for calculating NO_x emission rate during operating hours for which a quality-assured measured diluent (CO₂ or O₂) value is obtained.

For full-scale exceedances of a NO_x analyzer, EPA requires reporting of an MODC reflecting the monitoring system in use during the exceedance, or reporting an MODC of “25” if the diluent concentration normally reported in the MHV records is not quality-assured. Therefore, during full-scale exceedances, when 200 percent of MPC or 200 percent of range is reported for NO_x concentration in the MHV record and is used in conjunction with a quality-assured diluent gas concentration to calculate the NO_x emission rate, report the MODC code associated with the monitoring system that is in use at the time of the full-scale exceedance (for example, report “01” if the primary NO_x-diluent monitoring system is in use). If a full-scale exceedance of the NO_x analyzer occurs and no quality-assured diluent gas concentration for the hour is available, report an MODC of “25” for that hour. Manual entry of an MODC of “21” is permitted.

Table 26: MODC Codes and Descriptions for DHV

| Code | Parameter(s) | Description |
|------|-----------------|---|
| 01 | CO2C, NOXR, H2O | Primary Monitoring System (and Primary Bypass (PB) for NOXR) |
| 02 | CO2C, NOXR, H2O | Redundant Backup or Regular Non-Redundant Backup Monitoring System |
| 03 | All | Approved Part 75 Alternative Monitoring System |
| 04 | CO2C, NOXR, H2O | Reference Method Backup System |
| 05 | NOXR | Part 75 Approved Parametric Method for Controlled Units |
| 06 | CO2C, NOXR, H2O | Average Hour Before/Hour After |
| 07 | CO2C, NOXR, H2O | Initial Missing Data (§75.31) |
| 08 | CO2C, NOXR | 90 th Percentile Value in Lookback Period (CO2C) <u>or</u> 90 th Percentile Value in Lookback Period in Corresponding Load Bin (NOXR) |
| | | H2O |
| | | 90 th <u>or</u> 10 th Percentile Value in Load Range in Lookback Period |

| Code | Parameter(s) | Description |
|------|----------------|--|
| 09 | CO2C, NOXR | 95 th Percentile Value in Lookback Period (CO2C) <u>or</u> 95 th Percentile Value in Lookback Period in Corresponding Load Bin (NOXR) |
| | H2O | 95 th <u>or</u> 5 th Percentile Value in Load Range in Lookback Period |
| 10 | CO2C, NOXR | Maximum Hourly Value in Lookback Period (CO2C) <u>or</u> Maximum Value in Lookback Period in Corresponding Load Bin (NOXR) |
| | H2O | Maximum or Minimum Hourly Moisture Percentage in Lookback Period |
| 11 | NOXR | Average Hourly Rate in Load Range in Lookback Period |
| 12 | CO2C, NOXR | Maximum Potential Concentration or Emission Rate |
| | H2O | Maximum or Minimum Potential Moisture Percentage |
| 13 | NOXR | Maximum Controlled NO _x Emission Rate (MCR) |
| 14 | NOXR | Diluent Cap (if the cap is replacing a CO ₂ measurement, it should be 5.0 percent for boilers and 1.0 percent for turbines; if it is replacing an O ₂ measurement, it should be 14.0 percent for boilers and 19.0 percent for turbines.) |
| 15 | NOXR | 1.25 times the maximum controlled NO _x Emission Rate at the corresponding load or operational bin, in the applicable lookback |
| 21 | CO2C, H2O NOXR | A negative hourly value replaced with a zero |
| 22 | NOXR | NO _x Emission Rate calculated from a certified NO _x monitor at the control device inlet, when the outlet NO _x monitor is unavailable and proper operation of the emission controls is not verified. These hours are included in missing data lookback and are treated as available hours for percent availability calculations. |
| 23 | NOXR | Maximum Potential NO _x Emission Rate (MER) for an hour in which flue gases are discharged through an unmonitored bypass stack |
| 24 | NOXR | MCR for an hour in which flue gases are discharged downstream of the NO _x emission controls through an unmonitored bypass stack, and the add-on NO _x emission controls are confirmed to be operating properly |
| 25 | NOXR | MER. Use only when a NO _x concentration full-scale exceedance occurs and the diluent monitor is unavailable. |
| 26 | HI | One mmBtu/hr substituted for Heat Input Rate for an operating hour in which the calculated Heat Input Rate is zero or negative |
| 40 | H2O | Fuel-Specific or Pro-Rated moisture default value |
| 45 | HIT | Maximum Rated Hourly Heat Input Rate (used to determine heat input for LME units generally using long-term fuel flow method) |
| 53 | All | Other quality-assured methodologies approved through petition. These hours are included in the missing data lookback and are treated as available hours for percent monitor availability calculations. |
| 54 | All | Other quality-assured methodologies approved through petition by EPA. These hours are included in missing data lookback and are treated as available hours for percent availability calculations. |
| 55 | All | Other substitute data approved through petition by EPA. These hours are <u>not</u> included in missing data lookback and are treated as unavailable hours for percent availability calculations. |

* EPA has reserved MODCs “01” through “55.” MODCs “56” through “99” may be used by vendors and companies for other purposes; do **not** report these codes in a quarterly report. MODCs “30” and “31” were defined in EDR v2.0 for Ozone Trading Commission (OTC) NBP units only and are no longer allowed.

Monitoring System ID (*MonitoringSystemID*)

Report the Monitoring System ID for the appropriate monitoring system that is providing quality-assured data for the hour. For missing data hours, report the Monitoring System ID for the appropriate monitoring system that is unable to provide quality assured data for the hour. For hours in which the flue gases are discharged through an unmonitored bypass stack, leave this field blank. Also, leave this field blank for the calculated SO₂, NO_x, and CO₂ hourly mass emission rates.

If either: (1) a default high range NO_x concentration value of 200 percent of the MPC is reported due to a full-scale exceedance of the low range; or (2) a value of 200 percent of the range is reported during a full-scale exceedance of the high range, report the ID number of the NO_x-diluent monitoring system which is in use at the time of the full-scale exceedance.

For heat input records, report the Monitoring System ID for the O₂ or CO₂ system that provided the value used in the calculation. These requirements are summarized in the table below.

Table 27: System ID Reporting for Derived Hourly Values

| Parameter Code | Description | System ID to Report |
|----------------|---|---|
| CO2 | CO ₂ Hourly Mass Rate | Leave blank |
| CO2C | CO ₂ Concentration (from an O ₂ monitor) | CO ₂ System ID |
| H2O | Moisture (from wet/dry H ₂ O system) | H ₂ O System ID |
| HI | Heat Input | CO ₂ or O ₂ System ID if CEM. Otherwise, leave blank. |
| NOX | NO _x Hourly Mass Rate from NO _x Concentration and Stack Flow | Leave blank |
| | NO _x Hourly Mass Rate from NO _x Emissions Rate and Heat Input | Leave blank |
| NOXR | NO _x Emissions Rate | NO _x System ID for CEM system or NOXE System ID for Appendix E mixed-fuel curve. Otherwise, leave blank. |
| SO2 | SO ₂ Hourly Mass Rate | Leave blank |

Formula Identifier (*FormulaIdentifier*)

Report the Formula ID from the MONITOR FORMULA DATA record that is used for the calculation of the parameter. Leave this field blank for missing data hours (except for parameter codes CO2C (CO₂ concentration determined from O₂ readings), H₂O (determined from wet and dry O₂ readings), and NOXR) and for LME records. If you are using the Appendix D methodology to determine SO₂, CO₂, or Heat Input and burning multiple fuels for the hour, report the Formula ID

from the MONITOR FORMULA DATA record with Formula Code D-12, G-4A, or D-15A respectively. If burning a single fuel for the hour, leave this field blank. If using multiple Appendix E curves to determine the NO_x emission rate for the hour, report the Formula ID from the MONITOR FORMULA DATA record with Formula Code E-2. If using a single curve for the hour, leave this field blank.

Percent Available (*PercentAvailable*)

For NO_x from a CEM system, H₂O, or CO₂C, report the percent monitor data availability (PMA) to one decimal place for all hours. Do not report PMA for Heat Input Rate, SO₂, NO_x, or CO₂ hourly mass emission rates.

Operating Condition Code (*OperatingConditionCode*)

This field applies only to Appendix E NO_x data, LME NO_xM data. For an Appendix E NO_x emission rate record (for a unit using one correlation curve for a consistent fuel mixture), report the appropriate code from Table 28 below to indicate the condition that was used to determine the NO_x emission rate for the hour.

See the instructions for this field in the HOURLY PARAMETER FUEL FLOW DATA record for details about when to report each operating condition code.

Table 28: Operating Condition Codes and Descriptions for *DHV*

| Code | Description |
|------|---|
| B | Unit operated at base load or set point temperature (LME) |
| C | Controls Operating Properly (LME) |
| E | Emergency Fuel (Appendix E) |
| M | Correlation Curve for the Fuel Mixture has Expired (Appendix E) |
| N | Operating Parameter is Outside of Normal Limits (Appendix E) |
| P | Unit operated at peak load or higher internal operating temperature (LME) |
| U | Uncontrolled Hour (Appendix E or LME) |
| W | Operation Above Highest Tested Heat Input Rate Point on the Curve (Appendix E) |
| X | Operating Parameter Data Missing or Invalid (Appendix E) |
| Y | Designated Operational and Control Equipment Parameters within Normal Limits (Appendix E) |
| Z | Operation Below Lowest Tested Heat Input Rate Point on the Curve (Appendix E) |

In the NO_xM record for an LME unit that uses a fuel- and unit-specific default NO_x emission rate and has NO_x controls, indicate the status of the NO_x controls for the hour by reporting:

- C = Controls Operating Properly
- U = Unit Controls Not Operating or Not Operating Properly

In the NO_xM record for an LME combustion turbine that operates principally at base load (or at a set point temperature) but is capable of operating at a higher peak load (or higher internal

operating temperature), indicate for each operating hour whether operation was a base load (B) or peak load (P).

- B = Unit operated at base load or set point temperature
- P = Unit operated at peak load or higher internal operating temperature

For all other records, leave this field blank.

Segment Number (*SegmentNumber*)

For an Appendix E NO_x Emission Rate record (for a unit using one correlation curve for a consistent fuel mixture), report the Segment Number (1 – 4) indicating which portion of the correlation curve was used to determine the value for the hour. For operating condition codes N or X, report the segment number that contains the highest NO_x emission rate on the curve for the fuel. Leave this field blank if the correlation curve was not used for the hour (i.e., the Operating Condition Code is E, M, U, or W).

Fuel Code (*FuelCode*)

For LME units, report the type of fuel combusted in the hour. If multiple fuels are burned, report the fuel type used to determine the mass emissions for the parameter in this record (i.e., the fuel with the highest emission factor for the parameter). If records are missing as to which fuel was burned in the hour, report the fuel with the highest emission factor for this parameter of all of the fuels capable of being burned in the unit.

Table 29: Fuel Codes and Descriptions

| Code | Description |
|------|--|
| BFG | Blast Furnace Gas |
| BUT | Butane (if measured as a gas) |
| CDG | Coal-Derived Gas |
| COG | Coke Oven Gas |
| DGG | Digester Gas |
| DSL | Diesel Oil |
| LFG | Landfill Gas |
| LPG | Liquefied Petroleum Gas |
| NNG | Natural Gas (as defined in §72.2) |
| OGS | Other Gas |
| OIL | Residual Oil |
| OOL | Other Oil |
| PDG | Producer Gas |
| PNG | Pipeline Natural Gas (as defined in §72.2) |
| PRG | Process Gas |

| Code | Description |
|-------------|--------------------------------|
| PRP | Propane (if measured as a gas) |
| RFG | Refinery Gas |
| SRG | Unrefined Sour Gas |

2.6.2.1 MATS Derived Hourly Value Data

MATS Derived Hourly Value Data Overview

If your EGU is subject to the MATS Rule (40 CFR Part 63, Subpart UUUUU), submit a MATS DERIVED HOURLY VALUE DATA (MDHV) record for each calculated (derived) parameter value determined at the monitoring location for each operating hour. MATS derived hourly values include electrical output-based emission rates for SO₂, Hg, HCl, or HF, and heat input-based emission rates for SO₂, Hg, HCl, or HF. Reporting instructions for each of the derived parameters are presented below.

Derived SO₂ Hourly Emission Rates

If you seek to comply with the acid gas emissions reduction requirements of the MATS rule by continuously monitoring the heat input-based or electrical output-based SO₂ emission rate as a surrogate for HCl, you must calculate and report the hourly SO₂ emission rate in the appropriate units of measure (see Table 30) for each operating hour in which valid values are reported for the unadjusted SO₂ concentration and all of the auxiliary parameters that are needed to calculate the SO₂ emission rate.

For the electrical output-based emission rate, the auxiliary parameters needed to convert the SO₂ concentration to lb/MWh include stack gas flow rate, gross electrical load, and (if applicable) stack gas moisture content. For the heat input-based emission rate, the auxiliary parameters needed to convert the SO₂ concentration to lb/mmBtu include diluent gas (CO₂ or O₂) concentration and (if applicable) stack gas moisture content.

Use only quality-assured, unadjusted hourly average SO₂ concentrations, stack gas flow rates, diluent gas concentrations, and (if applicable) moisture values to calculate the SO₂ emission rates. Do not calculate the hourly SO₂ emission rate if Part 75 substitute data is used for any of the auxiliary parameters. Also, do not calculate the electrical output-based emission rate if the electrical load for the operating hour is missing. When the electrical load is zero, report the “default electrical load” (as defined in §63.10042). The default electrical load is not considered to be substitute data.

For the purposes of the MATS rule, the hourly SO₂ emission rate (lb/mmBtu or lb/MWh) must not be calculated for any operating hour in which SO₂ concentration exceeds the low range of a dual-range SO₂ monitor and the high range is unable to provide quality-assured data due to an expired linearity check or an expired daily calibration error test. Whereas the Acid Rain Program and other programs that use Part 75 to monitor SO₂ mass emissions require a substitute data value (specifically, the maximum potential SO₂ concentration (MPC)) to be reported and used in the emissions calculations for such hours, the MATS rule prohibits Part 75 substitute data values from being used to calculate hourly pollutant emission rates. Note that default moisture percentages from Part 75 (if used) are not considered to be substitute data values. If the diluent cap is used in the calculation of the heat input-based emissions rate, the cap value is not considered to be substitute data.

For operating hours in which quality-assured data are not obtained for either the unadjusted SO₂ concentration or any essential auxiliary parameter(s), report a MDHV record, even though the SO₂ emission rate is not calculated for those hours (see the reporting instructions below for the “Unadjusted Hourly Value” field).

Derived Hourly Hg, HCl, or HF Emission Rates

If you seek to comply with the MATS rule by continuously monitoring the heat input-based or electrical output-based Hg, HCl, or HF emission rate, you must calculate and report in a MDHV record the hourly pollutant emission rate in the appropriate units of measure (as shown in Table 30) for any operating hour in which sufficient valid data are obtained for the unadjusted Hg, HCl, or HF concentration, and for all other parameters needed to convert Hg, HCl, or HF concentration to the units of the emission standard (see 40 CFR 60.13(h)(2)).

For the electrical output-based emission rate, the auxiliary parameters needed to convert the Hg, HCl, or HF concentration to lb/GWh or lb/MWh (as applicable) include stack gas flow rate, gross electrical load, and (if applicable) stack gas moisture content. For the heat input-based emission rates, the auxiliary parameters needed to convert the Hg, HCl, or HF concentration to lb/TBtu or lb/mmBtu (as applicable) include diluent gas (CO₂ or O₂) concentration and (if applicable) stack gas moisture content.

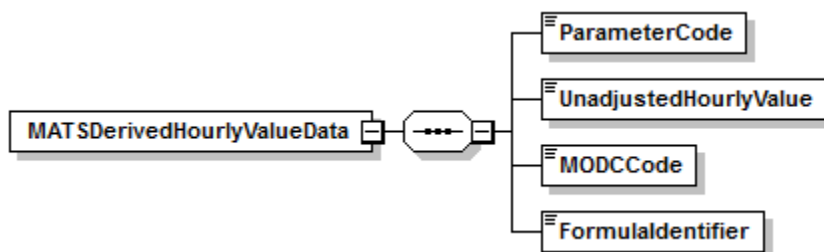
Use only quality-assured, unadjusted hourly average Hg, HCl, and HF concentrations, stack gas flow rates, diluent gas concentrations, and (if applicable) moisture values to calculate the Hg, HCl, or HF emission rates. Do not calculate the hourly emission rate if Part 75 substitute data is used for any of the auxiliary parameters. Also, do not calculate the electrical output-based emission rate if the electrical load for the operating hour is missing. For startup or shutdown hours, if the electrical load is zero, the output-based emission rate must be calculated using the “default electrical load” (as defined in §63.10042).

Note that default moisture percentages from Part 75 (if used) are not considered to be substitute data values. If the diluent cap is used in the calculation of the heat input-based emissions rate, the cap value is not considered to be substitute data.

For operating hours in which quality-assured data are not obtained for either the unadjusted pollutant concentration (i.e., Hg, HCl, or HF, as applicable) or any essential auxiliary parameter(s), report a MDHV record, even though the emission rate is not calculated for those hours (see the reporting instructions below for the “Unadjusted Hourly Value” field).

MATS Derived Hourly Value Data XML Model

Figure 15: MATS Derived Hourly Value Data XML Elements



MATS Derived Hourly Value Data XML Elements**Parameter Code** (*ParameterCode*)

Report the appropriate Parameter Code as shown in Table 30:

Table 30: Parameter Codes and Descriptions for the MDHV Data Record

| Code | Description |
|-------|---|
| SO2RE | Electrical Output-Based Hourly SO ₂ Emission Rate (lb/MWh) |
| SO2RH | Heat Input-Based Hourly SO ₂ Emission Rate (lb/mmBtu) |
| HGRE | Hg Electrical Output Based Emissions Rate (lb/GWh) |
| HGRH | Hg Heat Input Based Emissions Rate (lb/TBtu) |
| HCLRE | HCl Electrical Output Based Emissions Rate (lb/MWh) |
| HCLRH | HCl Heat Input Based Emissions Rate (lb/mmBtu) |
| HFRE | HF Electrical Output Based Emissions Rate (lb/MWh) |
| HFRH | HF Heat Input Based Emissions Rate (lb/mmBtu) |

Unadjusted Hourly Value (*UnadjustedHourlyValue*)

Report the unadjusted derived hourly value for the parameter specified, as follows:

SO₂ Emission Rates

If your EGU has a single unit-single stack exhaust configuration and you seek to comply with the acid gas emissions reduction requirements of the MATS rule by continuously monitoring either the heat input-based SO₂ emission rate (lb/mmBtu) or the electrical output-based SO₂ emission rate as a surrogate for HCl, report the unadjusted SO₂ emission rate in a MDHV record for each operating hour in which quality-assured values are obtained and reported in MHV records for the unadjusted SO₂ concentration and for all of the auxiliary parameters needed to convert the SO₂ concentration to lb/mmBtu or lb/MWh (as applicable). For the calculation of electrical output-based emission rates, use only unadjusted hourly SO₂ concentrations and stack gas flow rates—do not apply Part 75 bias adjustment factors to the SO₂ or flow rate data. Report the SO₂ emission rates using scientific notation, keeping only one leading non-zero digit to the left of the decimal point. For example, an SO₂ emission rate of 0.0756 lb/mmBtu would be reported as 7.6E-2, with no spaces in between the characters. Do not use “plus” characters after the “E” when reporting rates greater than or equal to one. For example, an SO₂ emission rate of 7.56 lb/mmBtu would be reported as 7.6E0. For data prior to September 9, 2020, report the rate in scientific notation rounded to three significant figures. For example, if the rate is 0.159 lb/mmBtu, report 1.59E-1.

Use appropriate equations from Table 29 “SO₂ Emission Formulas for the MATS Rule” in the MONITORING FORMULA DATA record section of the ECMPS Monitoring Plan Reporting Instructions to determine the hourly lb/mmBtu or lb/MWh SO₂ emission rate. These equations must be defined in your electronic monitoring plan.

If the SO₂ concentration or any auxiliary parameter needed to calculate the SO₂ emission rate is either invalid or is a substitute data value, leave this field blank and report an MODC of “38.”

If you seek to comply with the electrical output-based standard and the hourly electrical load is zero during unit operation, and all other essential parameters are valid, calculate the emission rate using the default electrical load and report an MODC of “39.” If the electrical load is missing during unit operation, leave this field blank and report an MODC of “38.”

If your affected EGU has a common stack or multiple stack exhaust configuration, see the “Specific Considerations for the MATS Rule” presented at the end of this section.

Hg, HCl, or HF Emission Rates

If your EGU has a single unit-single stack exhaust configuration and you seek to comply with the MATS rule by continuously monitoring either the heat input-based Hg, HCl, or HF emission rate (lb/TBtu or lb/mmBtu, as applicable) or the electrical output-based emission rate (lb/GWh or lb/MWh, as applicable), report the Hg, HCl, or HF emission rate in a MDHV record for each operating hour in which valid data are obtained and reported for the unadjusted Hg, HCl, or HF concentration (in a MMHV record) and for all of the auxiliary parameters needed to convert the pollutant concentration to the units of the emission standard (in MHV records). For the calculation of electrical output-based emission rates, use only unadjusted hourly stack gas flow rates—do not apply Part 75 bias adjustment factors to the flow rate data. Report the Hg, HCl, or HF emission rates using scientific notation, keeping only one leading non-zero digit to the left of the decimal point. For example, an Hg emission rate of 0.000385 lb/GWh would be reported as “3.9E-4” with no spaces in between characters and the “E” capitalized. Do not use “plus” characters after the “E” when reporting rates greater than or equal to one. For example, an Hg emission rate of 3.85 lb/GWh would be reported as “3.9E0.” For data prior to September 9, 2020, report the rate in scientific notation rounded to three significant figures. For example, if the rate is 0.159 lb/GWh, report 1.59E-1.

Use appropriate equations from Table 33, 35, or 37 (as applicable) of the ECMPS Monitoring Plan Reporting Instructions to determine the hourly lb/mmBtu or lb/MWh Hg, HCl, or HF emission rate. These equations must be defined in your electronic monitoring plan.

If the Hg, HCl, or HF concentration or any auxiliary parameter needed to calculate the pollutant emission rate is either invalid or is a substitute data value, leave this field blank and report an MODC of “38.”

If you seek to comply with the electrical output-based standard and the hourly electrical load is zero during unit operation, and all other essential parameters are valid, calculate the emission rate using the default electrical load and report an MODC of “39.” If the electrical load is missing during unit operation, leave this field blank and report an MODC of “38.”

If your affected EGU has a common stack or multiple stack exhaust configuration, see the “Specific Considerations for the MATS Rule” presented at the end of this section.

MODC Code (*MODCCode*)

For parameters HGRE, HGRH, HCLRE, HCLRH, HFRE, HFRH, SO2RE, or SO2RH, report an MODC of “36,” “37,” or “39” (as appropriate) for hours in which the emission rate is able to be calculated, and report “38” for hours in which the emission rate cannot be calculated. Entry of MODCs 36, 37, 38 and 39 is permitted.

For all other parameters, leave this field blank.

Table 31: MODC Codes and Descriptions for MDHV

| Code | Parameter(s) | Description |
|------|--|---|
| 36 | HGRE, HGRH, HCLRE, HCLRH, HFRE, HFRH, SO2RE, SO2RH | Hourly Hg, HCl, SO ₂ , or HF emission rate calculated—valid data obtained for pollutant concentration and for all essential auxiliary parameters |
| 37 | HGRH, HCLRH, HFRH, SO2RH, | Hourly heat input-based Hg, HCl, SO ₂ , or HF emission rate calculated for a startup or shutdown hour, using the diluent cap value |
| 38 | HGRE, HGRH, HCLRE, HCLRH, HFRE, HFRH, SO2RE, SO2RH | Hourly Hg, HCl, or HF emission rate not calculated—valid concentration not available or one or more essential auxiliary parameters is either missing or reported as substitute data. |
| 39 | HGRE, HCLRE, HFRE, SO2RE | Hourly electric output-based Hg, HCl, SO ₂ , or HF emission rate calculated using the default electrical load value for a startup or shutdown hour where there is heat input to an affected EGU but zero gross output. |

Formula Identifier (*FormulaIdentifier*)

Report the Formula ID from the MONITOR FORMULA DATA record that is used for the calculation of the parameter.

For operating hours in which the heat input-based Hg, SO₂, HCl, or HF emission rate is calculated and for operating hours when the emission rate is not calculated, report the formula ID corresponding to the EPA Method 19 equation used. For operating hours in which the electrical output-based Hg, SO₂, HCl, or HF emission rate is calculated and for operating hours when the emission rate is not calculated, report the formula ID corresponding (as applicable) to either Equation A-2 or A-3 from Table 33 of the ECMPS Monitoring Plan Reporting Instructions (for Hg), Equation S-2 or S-3 from Table 29 (for SO₂), Equation HC-2 or HC-3 from Table 35 (for HCl), or Equation HF-2 or HF-3 from Table 37 (for HF).

Specific Considerations**Specific Considerations for the MATS Rule**

- For EGUs subject to the MATS Rule that have common stack configurations, you may monitor emissions concentration and the necessary auxiliary parameters at the common stack provided that all of the units sharing the stack are subject to the same emission limit (see 40 CFR 63.8(b)(2)(i)). If this monitoring option is implemented, do not apportion the hourly emission rate measured at the common stack to the individual units (i.e., do not report any additional MATS DERIVED HOURLY VALUE DATA records under the ID numbers of the units that share the common stack). However, if the units sharing the common stack are not subject to the same emission standard, you must either monitor the units individually to demonstrate compliance with the emission limits or monitor at the common stack and demonstrate compliance with the most stringent emission limit.

- If, for a particular unit, hourly emissions rates are monitored at multiple stacks (or ducts) report the hourly emission rate measured at each stack (or duct) and an hourly flow-weighted emission rate for the unit (i.e., report both stack (or duct)-level and unit-level MATS DERIVED HOURLY VALUE DATA records). Use Equation MS-1 to calculate the hourly unit-level emission rates:

$$E_h = \frac{\sum_{i=1}^n (ER)_i (Q)_i}{\sum_{i=1}^n (Q)_i}$$

(Equation MS-1)

Where:

- E_h = Flow-weighted hourly average pollutant emission rate for the EGU (lb/mmBtu, lb/TBtu, lb/MWh, or lb/GWh, as appropriate)
- ER = Hourly average pollutant emission rate measured in the monitored stack or duct (lb/mmBtu, lb/TBtu, lb/MWh, or lb/GWh, as appropriate)
- Q = Hourly stack gas flow rate measured in the monitored stack or duct (scfh, wet basis)
- i = Designation for a particular stack or duct
- n = Total number of monitored stacks or ducts

- If quality-assured data are not obtained for the unadjusted pollutant concentration (i.e., Hg, HCl, HF, or SO₂, as applicable) and/or for any essential auxiliary parameter(s) at a particular monitored stack or duct, do not calculate the emission rate at that location and leave the “Unadjusted Hourly Value” field blank. Do not calculate the unit-level emission rate for any operating hour in which a valid emission rate is not able to be calculated for all of the stacks (or ducts).
- For common stack configurations, if you elect to comply with an electrical output-based standard, then, for hours in which all units that are operating in startup or shutdown mode and the combined electrical load is zero, provided that all other parameters used in the emission rate equation are valid, you must calculate the pollutant emission rate using the default electrical load (as defined in §63.10042). The default electrical load is not reported if any unit that shares the stack is operating normally while another unit(s) is in startup or shutdown mode.

2.6.3 Hourly Fuel Flow Data

Hourly Fuel Flow Data Overview

Whenever a flowmeter is used to determine heat input rate or SO₂ or CO₂ emissions in accordance with Appendix D, report an HOURLY FUEL FLOW DATA (HFF) record for each type of oil and/or gaseous fuel combusted during each operating hour using the Monitoring System ID associated with the appropriate flowmeter monitoring system. Do not report an HFF record for low mass emissions units (LME) that use a certified Appendix D fuel flowmeter for long term fuel flow purposes; use the LONG TERM FUEL FLOW (LTFF) record.

To report hourly SO₂ mass emission rate, CO₂ mass emission rate and/or Heat Input, you must also submit the appropriate HOURLY PARAMETER FUEL FLOW DATA records associated with each HFF record.

If you measure fuel flow at a common pipe location, report a HFF record using the Stack Pipe ID for each hour in which fuel is combusted by a unit served by the common pipe. Do not report HFF records for the individual units on an hourly basis. Apportion the heat input rate calculated at the common pipe location to each unit, using appropriate time-weighted apportionment formulas based on load (see Appendix F and the MONITOR FORMULA DATA instructions). Report the apportioned hourly heat input rate values in separate DERIVED HOURLY VALUE DATA (DHV) records for the individual units. Use the hourly heat input rates and operating times from the DHV records to calculate the cumulative heat input values for each unit and report these values in unit-level SUMMARY VALUE DATA records. If you use uncertified fuel flowmeters at the unit and Equation F-21D to apportion the common pipe heat input to the individual units, report HFF only for the common pipe -- do not report any HFF records showing the fuel flow to the individual units.

For Oil Fuel Flow Records

Report an HFF for any hour in which oil is combusted as a startup fuel and fuel flow is estimated through tank measurements.

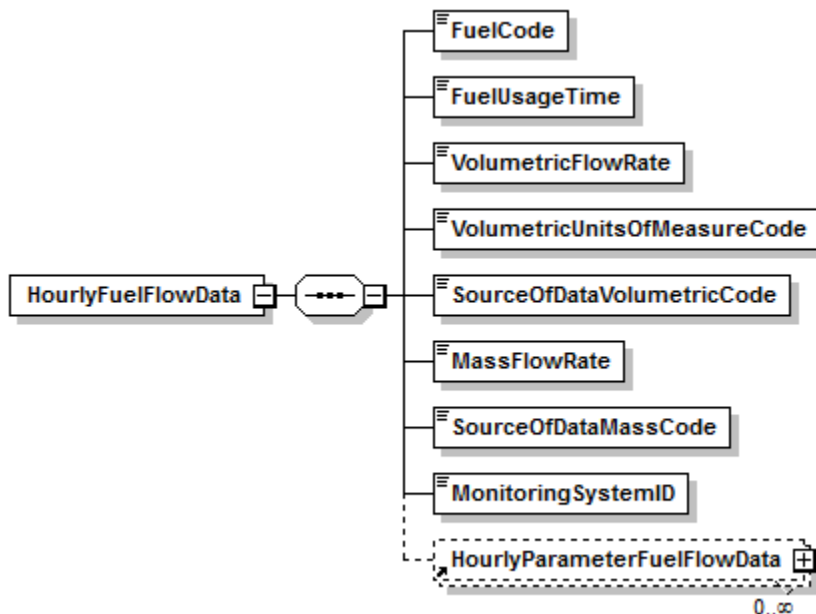
The oil flow rate is the net fuel flow rate to the unit(s). For example, it may represent the difference between the values measured for the main supply and re-circulating oil lines or it may represent the sum of oil flow for two fuel flowmeters measuring the same type of oil to the unit.

For oil fuel flow systems, if the fuel flow system measures mass flow rate of oil directly, leave blank the following data elements:

- Volumetric Flow Rate
- Volumetric Units of Measure Code
- Source of Data Volumetric Code

Hourly Fuel Flow Data XML Model

Figure 16: Hourly Fuel Flow Data XML Elements



Hourly Fuel Flow Data XML Elements

Fuel Code (FuelCode)

Report the type of oil or gaseous fuel combusted during the hour for the system. For oil fuels use the general fuel type codes provided in Table 32 below. For gaseous fuels, you may either report the type of fuel using the General Fuel Type codes (which are consistent with the codes used in the UNIT FUEL DATA record in the monitoring plan) or report more specific fuel codes for the type of gas combusted using one of the Specific Fuel Type codes. Both sets of fuel type codes are listed in Table 33 below. The Fuel Code should match the Fuel Code in the MONITORING SYSTEM DATA record associated with the Monitoring System ID.

For Oil Fuel Flow Records

Table 32: Oil Fuel Flow Fuel Codes and Descriptions

| Code | Description |
|------|--------------|
| DSL | Diesel Oil |
| OIL | Residual Oil |
| OOL | Other Oil |

For Gas Fuel Flow Records**Table 33: Gas Fuel Flow Fuel Codes and Descriptions**

| Code | Description |
|---------------------------------|--|
| General Fuel Type Codes | |
| LPG | Liquefied Petroleum Gas (if measured as a gas) |
| NNG | Natural Gas |
| OGS | Other Gas |
| PNG | Pipeline Natural Gas (as defined in §72.2) |
| PRG | Process Gas |
| Specific Fuel Type Codes | |
| BFG | Blast Furnace Gas |
| BUT | Butane (if measured as a gas) |
| CDG | Coal-Derived Gas |
| COG | Coke Oven Gas |
| DGG | Digester Gas |
| LFG | Landfill Gas |
| PDG | Producer Gas |
| PRP | Propane (if measured as a gas) |
| RFG | Refinery Gas |
| SRG | Unrefined Sour Gas |

Fuel Usage Time (*FuelUsageTime*)

Report the fraction of the clock hour during which the unit combusted the specified fuel. You may use any equal increments from hundredths (0.01 hr) to quarters (0.25 hr) of an hour. Do not leave this field blank.

For common pipes, report the cumulative portion of the hour during which the specified fuel was combusted in any of the units served by the common pipe, not to exceed a fuel usage time of 1.00. For example, if a common pipe serves Units 1 and 2 and both units operate for the first 24 minutes (0.40 hr) of the hour and then are both shut down, the fuel usage time is 0.40. If Unit 1 operates only for the first 24 minutes of the hour and Unit 2 operates only for the last 24 minutes of the hour, the fuel usage time is 0.40 hr plus 0.40 hr, or 0.80. If Unit 1 operates for the first 40 minutes of the hour and Unit 2 operates for the last 40 minutes of the hour, report a fuel usage time of 1.00, since for all minutes in the hour, at least one of the units operated.

Volumetric Flow Rate (*VolumetricFlowRate*)For Oil Fuel Flow Records

If the fuel flow system measures the volumetric flow rate of oil, report the net volumetric flow rate, as measured, rounded to one decimal place. This value represents an hourly rate for periods in

which the fuel is combusted, not a total flow for the hour. If the hourly oil flow rate is so small that it results in a heat input rate of 0.0 mmBtu/hr (rounded to the nearest tenth) when Equation D-8 is used, you may report, as a default value, the minimum oil flow rate that will give a heat input rate greater than zero. This minimum oil flow rate must be defined in the MONITOR DEFAULT DATA record in the monitoring plan.

For units using Appendix D to account for SO₂ mass emissions you must report mass flow rate. If you use a volumetric flowmeter, report the volumetric flow rate in this field, the mass oil flow rate in the Mass Flow Rate field, and the density value used for the conversion in an HOURLY PARAMETER FUEL FLOW record. If the fuel flow system measures mass flow rate of oil directly, leave this field blank.

For Gas Fuel Flow Records

For Appendix D gas systems, the flow rate of gas is measured hourly by the fuel flowmeter system. The flow rate is the net fuel flow rate to the unit(s). For example, it may represent the sum of the gas flow rates for two fuel flowmeters measuring gas to the unit. All values must be reported in 100 standard cubic feet per hour (100 scfh) rounded to one decimal place. This value represents an hourly rate for periods in which the fuel is combusted, not a total flow for the hour. If the hourly gas flow rate is so small that it results in a heat input rate of 0.0 mmBtu/hr (rounded to the nearest tenth) when Equation D-6 is used, you may report, as a default value, the minimum gas flow rate that will give a heat input rate greater than zero. This minimum gas flow rate must be defined in the MONITORING DEFAULT DATA record in the monitoring plan.

Volumetric Units of Measure Code (*VolumetricUnitsOfMeasureCode*)

Report the units of measure used to report volumetric flow rate using the appropriate code from Table 34.

Table 34: Volumetric Units of Measure Codes and Descriptions

| Fuel Type | Units of Measure Code | Description |
|-----------|-----------------------|------------------------------|
| Oil | BBLHR | Barrels/Hour |
| | GALHR | Gallons/Hour |
| | M3HR | Cubic Meters/Hour |
| | SCFH | Standard Cubic Feet/Hour |
| Gas | HSCF | 100 Standard Cubic Feet/Hour |

Leave this field blank only for Oil HFF records, where the fuel flow system measures mass flow rate of oil directly.

Source of Data Volumetric Code (*SourceOfDataVolumetricCode*)

Report the Source of Data Volumetric Code that indicates the type of value reported for gas flow or volumetric oil flow rate, as shown in Table 35.

Table 35: Source of Data Volumetric Codes and Descriptions

| Code | Fuel Type | Description |
|------|------------|--|
| 0 | Oil or Gas | Measured Data |
| 1 | Oil or Gas | Substitute Data Using Lookback Procedures |
| 3 | Oil or Gas | Maximum Potential Fuel Flow Rate (simplified missing data procedure for peaking units, only) |
| 4 | Oil or Gas | Emergency Fuel (maximum unit fuel flow rate) |
| 5 | Oil | Igniter Oil from Tank Measurements |
| 6 | Oil | Uncertified OFFM to Measure Igniter Oil |
| 9 | Oil or Gas | Default Minimum Fuel Flow Rate |

Leave this field blank only for Oil HFF records, where the fuel flow system measures mass flow rate of oil directly.

Do not leave this field blank for gas fuel flow records.

Mass Flow Rate (*MassFlowRate*)

For Oil Fuel Flow Records

Report the Mass Flow Rate of oil either measured directly by a fuel flowmeter system or calculated from the volumetric flow rate measured by a fuel flowmeter system. All values must be reported in lb/hr, rounded to one decimal place. This value represents an hourly rate for the period in which fuel is combusted, not total flow for the hour.

For units using Appendix D to account for SO₂ mass emissions, you must report mass flow rate in order to calculate SO₂ mass emissions. Where the density of the oil is determined by the applicable ASTM procedures referenced in Part 75, use Equation D-3 to calculate the mass flow rate of oil (in lb/hr).

$$OIL_{rate} = V_{oil-rate} \times D_{oil} \quad \text{(Equation D-3)}$$

Where:

- OIL_{rate} = Mass rate of oil consumed per hr (lb/hr)
- V_{oil-rate} = Volume rate of oil consumed per hr, measured in scfh, gal/hr, barrels/hr, or m³/hr (rounded to one decimal place)
- D_{oil} = Density of oil, measured in lb/scf, lb/gal, lb/barrel, or lb/m³

However, for Subpart H units using Appendix D only for heat input determination, you may measure and report either mass flow rate or volumetric flow rate of oil. If you use volumetric flow rate and gross calorific value (GCV) to determine hourly heat input rate, leave this field blank.

For Gas Fuel Flow Records

Leave this field blank.

Source of Data Mass Code (*SourceOfDataMassCode*)

For Oil Fuel Flow Records

Report one of the following codes to indicate the type of value reported for mass oil flow rate. If the mass oil flow value was calculated from a volumetric oil flow value, report code 2, regardless of what Source of Data code was reported for the volumetric oil flow. For emergency fuels where certified fuel flowmeters are used instead of the maximum unit fuel flow rate for heat input, use either code 0, 1, 2, or 3 as appropriate. Do not use code 4 unless the maximum unit fuel flow rate option is used for reporting heat input for the emergency fuel.

Table 36: Source of Data Mass Codes and Descriptions

| Code | Description |
|------|--|
| 0 | *Measured Data (using a mass flowmeter) |
| 1 | Substitute Data Using Lookback Procedures |
| 2 | *Mass Flowrate Derived from Volumetric Value |
| 3 | Maximum Potential Fuel Flow Rate (simplified missing data procedure for peaking units, only) |
| 4 | Emergency Fuel (maximum unit fuel flow rate) |
| 5 | Igniter Oil from Tank Measurements |
| 6 | Uncertified OFFM to Measure Igniter Oil |
| 9 | Default Minimum Fuel Flow Rate |

* Including measured or derived mass data, for an emergency fuel where a certified mass or volumetric oil flowmeter is used.

Do not leave this field blank if fuel flow is reported in the MassFlowRate element.

Monitoring System ID (*MonitoringSystemID*)

Report the three character Monitoring System ID for the gas or oil fuel flowmeter system.

For hours in which you report the source of the fuel flow rate data (*SourceOfDataVolumetricCode* or *SourceOfDataMassCode* element) as codes 4, 5, or 6 for “Emergency Fuels,” where the maximum unit fuel flow rate is used, or as “Igniter Oil from Tank Measurements,” or “Uncertified OFFM to Measure Igniter Oil,” leave the Monitoring System ID blank.

2.6.3.1 Hourly Parameter Fuel Flow Data

Hourly Parameter Fuel Flow Data Overview

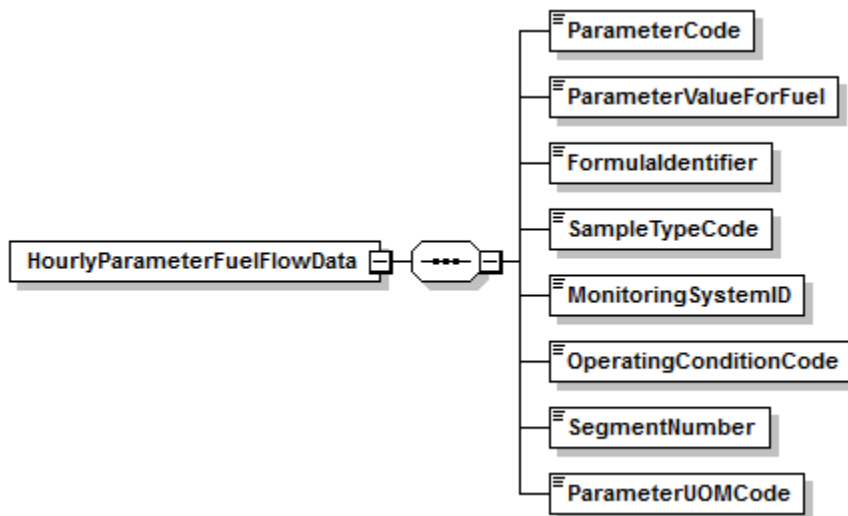
For each HOURLY FUEL FLOW DATA (HFF) record, submit HOURLY PARAMETER FUEL FLOW DATA records to provide the following information, as applicable:

- Gross calorific value (GCV) of the fuel;
- Density of the oil, if oil is measured on a volumetric basis and is required to be converted to a mass basis (for locations that report SO₂);
- Sulfur content or default SO₂ emission rate for the fuel, for locations that report SO₂;
- Hourly heat input rate and/or SO₂, and CO₂ mass emission rate values, as calculated from the hourly fuel flow; and
- NO_x emission rate determined using an Appendix E correlation curve for the single fuel.

Submit an HOURLY PARAMETER FUEL FLOW DATA record separately for each parameter as applicable. For units using Appendix D to account for heat input rate and SO₂ and CO₂ emissions, for each hour in which any type of oil or gas is burned, report an HOURLY PARAMETER FUEL FLOW DATA record and the corresponding HFF record(s) for each fuel combusted during the hour.

Hourly Parameter Fuel Flow Data XML Model

Figure 17: Hourly Parameter Fuel Flow Data XML Elements



Hourly Parameter Fuel Flow Data XML Elements

Parameter Code (*ParameterCode*)

Report the parameter for the HOURLY PARAMETER FUEL FLOW DATA record using one of the codes in Table 37:

Table 37: Parameter Codes and Descriptions for Hourly Parameter Fuel Flow Data

| Code | Description |
|---------|---|
| CO2 | CO ₂ Mass Emission Rate (tons/hr) |
| DENSOIL | Density of Oil |
| FC | Carbon-Based F-Factor (for CO ₂ calculation) |
| GCV | Gross Calorific Value for Oil or Gas |
| HI | Heat Input Rate (mmBtu/hr) |
| NOXR | NO _x Emission Rate (lb/mmBtu) (Appendix E) |
| SO2 | SO ₂ Hourly Mass Rate (lb/hr) |
| SO2R | Default SO ₂ Emission Rate (lb/mmBtu) |
| SULFUR | Sulfur Content (percent by weight) |

Parameter Value for Fuel (*ParameterValueForFuel*)

If the Parameter Code is “SO2,” report the SO₂ mass emission rate for the fuel in lb/hr calculated using Equation D-2, D-4, or D-5 from Appendix D to Part 75.

If the Parameter Code is “CO2,” report the CO₂ mass emission rate for the fuel in tons/hr calculated using Equation G-4 from Appendix G to Part 75.

If the Parameter Code is “HI,” report the Heat Input rate for the fuel calculated by multiplying the heat content (GCV) of the fuel by the hourly fuel flow rate. Report this value in units of mmBtu/hr.

If the Parameter Code is “NOXR,” report the NO_x emission rate for the fuel in lb/mmBtu determined using an Appendix E correlation curve.

If the Parameter Code is “GCV,” report the gross calorific value used to calculate heat input. Be sure to use the units of measure that correspond to the units used to report the fuel flow.

If the Parameter Code is “DENSOIL,” report the density of oil used to calculate mass oil flow rate from volumetric oil flow rate. Be sure to use the units of measure that correspond to the units used to report the fuel flow.

If the Parameter Code is “FC” report the carbon based F-factor for this fuel, as used to calculate CO₂ using equation G-4.

If the Parameter Code is “SULFUR,” for oil fuel flow records, if percent sulfur is measured, the actual value may be reported to the appropriate number of decimal places in Table 38. Use Table D-4 in Appendix D to Part 75 to determine what value you should report in this field. For gas fuel flow records report the sulfur content of the gaseous sample in grains/100 scf. Use Table D-5 in Appendix D to Part 75 to determine the correct value. If the sulfur content for any sample(s) is 0.04 grains/100 scf or less, report 0.1 grains/100 scf.

If the Parameter Code is “SO2R,” report the default SO₂ emission rate for natural gas of 0.0006 lb/mmBtu for pipeline natural gas if pipeline natural gas is combusted. If calculating a default emission rate using Equation D-1H, report the default rate in this field.

For all parameter codes, report the value to the appropriate number of decimal places in Table 38.

Table 38: Precision of Reported Values for Parameter Value for Fuel

| Parameter Codes | | Number of Decimal Places |
|------------------|-----|--------------------------|
| CO2, FC, GCV, HI | | One |
| DENSOIL | | Six |
| NOXR | | Three |
| SO2 | Oil | One |
| SO2 | Gas | Five |
| SO2R | | Five |
| SULFUR | Oil | Four |
| SULFUR | Gas | One |

Formula Identifier (*FormulaIdentifier*)

Report the code corresponding to the formula listed in the monitoring plan used to calculate the parameter for the HOURLY PARAMETER FUEL FLOW DATA record. For parameters GCV, FC, DENSOIL, and SULFUR, leave this field blank. For parameter SO2R, report this field if using a D-1H formula, otherwise leave it blank.

Sample Type Code (*SampleTypeCode*)

Report the type of sample used to determine the GCV, density, or sulfur content using one of the codes in Table 39.

Table 39: Sample Type Codes and Descriptions

| Code | Fuel | Parameters | Description |
|------|------|----------------------|---|
| 0 | Gas | GCV, SULFUR | Actual Measured Hourly Average Sample from GCH |
| 1 | Oil | GCV, DENSOIL, SULFUR | Actual Measured Value from Oil Composite or Tank Sample |
| 2 | Gas | GCV, SULFUR | Actual Measured Value from a Daily Sample |
| | Oil | GCV, DENSOIL, SULFUR | |
| 3 | Gas | GCV | Actual Measured GCV from Most Recent Monthly Sampling |
| 4 | Gas | GCV, SULFUR | Actual Measured Value from Most Recent Shipment or Lot |
| 5 | Gas | SULFUR | Highest Daily Sample in 30 Daily Samples |
| | Oil | GCV, DENSOIL, SULFUR | |

| Code | Fuel | Parameters | Description |
|------|------|----------------------|---|
| 6 | Gas | GCV, SULFUR | Highest Sampled Value in Previous Calendar Year (or a higher sampled value, superseding the assumed value) |
| | Oil | GCV, DENSOIL, SULFUR | |
| 7 | Gas | GCV, SULFUR | Maximum Value Allowed by Contract (or a higher sampled value, superseding the assumed value) |
| | Oil | GCV, DENSOIL, SULFUR | |
| 8 | Gas | GCV, SULFUR | Missing Data (Maximum Potential Value for missing data or emergency fuel from Table D-6 Appendix D section 2.4.1) |
| | Oil | GCV, DENSOIL, SULFUR | |

Monitoring System ID (*MonitoringSystemID*)

For Appendix E NO_x rate records (Parameter NOXR), report the three-character Monitoring System ID for the applicable NOXE system. If there is no applicable NOXE system (e.g., for emergency fuel records) leave this field blank. Also leave this field blank for other parameters.

Operating Condition Code (*OperatingConditionCode*)

For Appendix E NO_x rate records (Parameter NOXR), report the appropriate code from Table 40 that indicates the condition that was used to determine the NO_x emission rate for the hour.

Table 40: Operating Condition Codes and Descriptions for *Hourly Parameter Fuel Flow*

| Code | Description |
|------|--|
| E | Emergency Fuel or Ignition Fuel |
| M | Correlation Curve for the Fuel Mixture Has Expired |
| N | Operating Parameter Is Outside of Normal Limits |
| U | Uncontrolled Hour |
| W | Operation Above Highest Tested Heat Input Rate Point on the Curve |
| X | Operating Parameter Data Missing or Invalid |
| Y | Designated Operational and Control Equipment Parameters within Normal Limits |
| Z | Operation Below Lowest Tested Heat Input Rate Point on the Curve |

When to Report “E”

Report “E” if the unit burned an emergency or ignition fuel during the hour and you do not have a separate correlation curve for the emergency fuel. For these hours, report the fuel-specific maximum potential NO_x emission rate (MER) in the *ParameterValueForFuel* field.

When to Report “M”

When 20 calendar quarters have elapsed since the quarter of the last Appendix E test for a particular type of fuel, without a subsequent re-test being done, the correlation curve for that fuel type has expired. From that point on (i.e., starting with the first hour after the end of the 20th

quarter), the previous correlation curve is considered invalid, and you must report the fuel-specific MER for every hour in which the fuel is combusted, until a successful re-test has been completed. Report “M” for each such hour.

When to Report “N”

Report “N” if a unit operating parameter is outside of normal limits. For example, report “N” when excess O₂ exceeds by more than 2.0 percent the excess O₂ value recorded at the same operating heat input rate during the last NO_x emission rate test.

Also, if one or more parameters are outside the normal limits for > 16 consecutive operating hours, a re-test is required within 30 unit operating days or 180 calendar days (whichever occurs first -- see Appendix E, Section 2.3). Beginning with the 17th consecutive “out-of-spec” operating hour and continuing until the re-test is completed, continue to report “N” for each hour of combustion of the fuel(s) that triggered the need for the re-test.

Use missing data procedures from Appendix E for any hour in which “N” is indicated. These procedures require you to substitute the highest tested NO_x emission rate on the curve for the fuel.

Note: If fuel flow rate and gross calorific value data are missing, use the missing data procedures in Appendix D, not Appendix E.

When to Report “U”

For units with add-on NO_x controls only. Report “U” if any parameter used to verify proper operation of the emission controls is outside of normal limits (or the control equipment is not functioning). For these hours, report the fuel-specific NO_x MER in the Parameter Value for Fuel field.

When to Report “W”

Report “W” if the hourly heat input rate is higher than the maximum heat input rate correlated on the curve. Use the missing data procedures in section 2.5.2.1 of Appendix E when this occurs. During your next periodic or quality assurance/quality control related testing, test under conditions more representative of your maximum potential heat rate. If possible, use the new maximum heat input rate as the highest heat input point during the next test.

When to Report “X”

For missing or invalid excess O₂ or other operating parameter data, report “X” and report the highest NO_x emission rate on the curve for the fuel. This indicates that the hour is not demonstrated to be within the specified limits in Section 2.3 of Appendix E, but it also is not demonstrated to be outside the specified limits. (Note that the use of the “X” value is optional, you may choose instead to treat these hours as out-of-spec.) Hours marked with “N” count towards the 16 consecutive unit operating hours before retesting is required, while hours marked with “X” do not count for this purpose. In either case, the data count against the availability of data where the unit operates within the parameters. If the data availability falls below 90.0 percent, the Agency may require retesting.

When to Report “Z”

Report “Z” if the hourly heat input rate is below the lowest heat input rate. In this case it is not necessary to verify that the operational parameters are within any specified limits. Report the same NO_x emission rate recorded during testing at the lowest heat input rate.

Segment Number (*SegmentNumber*)

For an Appendix E NO_x Emission Rate record (for a unit using one correlation curve for a consistent fuel mixture), report the Segment Number (1 – 4) indicating which portion of the correlation curve was used to determine the value for the hour. For operating condition codes N or X, report the segment number that contains the highest NO_x emission rate on the curve for the fuel. Leave this field blank if the correlation curve was not used for the hour (i.e., the Operating Condition Code is E, M, U, or W).

Parameter UOM Code (*ParameterUOMCode*)

Report the code from Table 41 that identifies the unit of measure in which the Parameter Value for Fuel is reported. Be sure it corresponds properly to the units of measure in which the Hourly Fuel Flow rate was reported.

Table 41: Units of Measure Codes and Descriptions for *Hourly Parameter Fuel Flow*

| Parameter | Code | Description |
|------------|---------|---|
| CO2 | TNHR | Tons per Hour |
| DENSOIL | LBBBL | Pounds per Barrel |
| | LBGAL | Pounds per Gallon |
| | LBM3 | Pounds per Cubic Meter |
| | LBSCF | Pounds per Standard Cubic Foot |
| FC | SCFCBTU | CO ₂ Standard Cubic Feet/mmBtu |
| GCV | BTUBBL | BTU per Barrel |
| | BTUGAL | BTU per Gallon |
| | BTULB | BTU per Pound |
| | BTUM3 | BTU per Cubic Meter |
| | BTUSCF | BTU per Standard Cubic Foot |
| | BTUHSCF | BTU per 100 Standard Cubic Feet |
| HI | MMBTUHR | Million BTU per Hour |
| SO2 | LBHR | Pounds per Hour |
| SO2R, NOXR | LBMMBTU | Pounds per Million BTU |
| SULFUR | PCT | Percent by Weight |
| | GRHSCF | Grains per 100 Standard Cubic Feet |

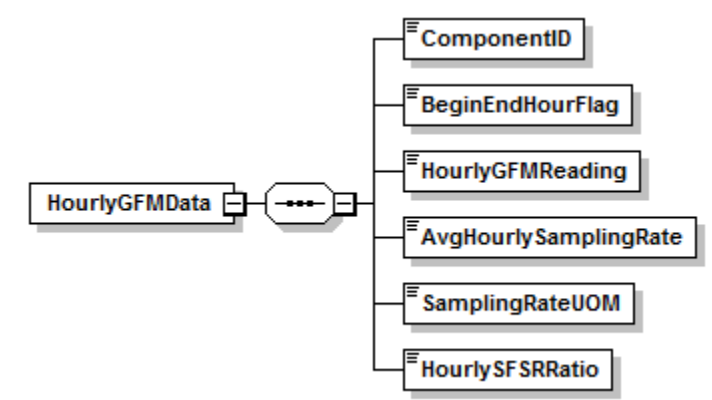
2.6.4 Hourly GFM Data

Hourly GFM Data Overview

For each hour of a data collection period in which a sorbent trap monitoring system is used, report HOURLY GFM DATA records as follows:

Generally, two HOURLY GFM DATA records will be reported for each hour, i.e., one for each sampling train (“STRAIN”) component of the monitoring system. However, note the following exceptions:

- For hours in which the unit or stack does not operate, do not report any HOURLY GFM DATA records.
- Also, do not report these records for hours outside the current calendar quarter, even though a sample collection period may extend into the next quarter.
- If valid GFM data (sample flow meter volume reading) are not recorded with a particular STRAIN component for the beginning or ending hour of the data collection period, do not report HOURLY GFM DATA records for that component and report a “QA Status Code” of “INC” in the applicable SAMPLING TRAIN DATA record (see section 2.8.1).
- If the trap from one sampling train is accidentally broken, lost, or invalidated, do not report HOURLY GFM DATA records for the STRAIN component associated with that trap, and report a “QA Status Code” of “LOST” in the applicable SAMPLING TRAIN DATA record (see section 2.8.1).
- If the sample gas flow meter was “out-of-control” during the *entire* sample collection period, do not report HOURLY GFM DATA records for the STRAIN component associated with that flow meter, and report a “QA Status Code” of “EXPIRED” in the applicable SAMPLING TRAIN DATA record (see section 2.8.1).
- If the sample gas flow meter was unavailable for *a portion of* the sample collection period, report a code of “N” in the Hourly GFM BeginEndHourFlag for the hours when the sample gas flow meter was unavailable. When “N” is reported for the hour, do not report HourlyGFMReading, AvgHourlySamplingRate, SamplingRateUOM, or HourlySFSRRatio.
- If the trap from one sampling train did not pass the post-monitoring leak check, percent breakthrough, SFSR ratio, or percent spike recovery, do not report HOURLY GFM DATA records for the STRAIN component associated with that trap, and report a “QA Status Code” of “FAILED” in the applicable SAMPLING TRAIN DATA record (see section 2.8.1).

Hourly GFM Data XML Model**Figure 18: Hourly GFM Data XML Elements**Hourly GFM Data XML Elements**Component ID** (*ComponentID*)

Report the ID number of the STRAIN component used during the hour.

Begin End Hour Flag (*BeginEndHourFlag*)

Report an “I” flag for the HOURLY GFM DATA record that marks the beginning of the sample collection period. Report an “F” flag to indicate the HOURLY GFM DATA record that marks the end of the sample collection period. Report a “T” flag for a “transition hour,” when one sample collection period ends and another begins in the same hour (pair of sorbent traps is removed from service, and a new pair of traps is placed in service in the same hour). Report an “N” flag for hours when the sample gas flow meter was unavailable during a portion of the sample collection period. When “N” is reported for the hour, do not report HourlyGFMReading, AvgHourlySamplingRate, SamplingRateUOM, or HourlySFSRRatio. For all other hours during a sample collection period, leave this field blank.

Hourly GFM Reading (*HourlyGFMReading*)

At the beginning and end of the sample collection period, and once in every intermediate hour of the sample collection period, record and report the hourly sample flow meter volume reading, in units of in dry standard cubic meters (dscm). Round off the reading to two decimal places. For instructions on how to report the hourly GFM reading in a “transition hour,” see the “Specific Considerations” section below.

Avg Hourly Sampling Rate (*AvgHourlySamplingRate*)

Report the average sample flow rate for the hour, rounded to two decimal places. Be sure to express the value in the same units of measure for each hour. For instructions on how to report the sample flow rate in a “transition hour,” see the “Specific Considerations” section below.

Sampling Rate UOM (*SamplingRateUOM*)

Indicate the units of measure for the Avg Hourly Sampling Rate by reporting the appropriate code from Table 42. For instructions on how to report the sampling rate UOM in a “transition hour,” see the “Specific Considerations” section below.

Table 42: Sampling Rate Units of Measure Codes and Descriptions

| Code | Description |
|---------|--------------------------------------|
| CCMIN | Cubic Centimeters per Minute |
| DSCMMIN | Dry Standard Cubic Meters per Minute |
| LMIN | Liters per Minute |
| CCHR | Cubic Centimeters per Hour |
| DSCMHR | Dry Standard Cubic Meters per Hour |
| LHR | Liters per Hour |

Hourly SFSR Ratio (*HourlySFSRRatio*)

Report the ratio of the unadjusted hourly average stack gas flow rate to the average hourly sample flow rate, calculated according to Equation 12B-3 of Performance Specification 12B in 40 CFR Part 60, Appendix B. The ratio must be a number between 1 and 100, rounded off to one decimal place.

Use data from the first hour of the sample collection period to calculate the “reference SFSR ratio.” However, if the stack gas flow rate in the first hour of the sample collection period is a substitute data value, defer calculation of the reference ratio until a quality-assured stack gas flow rate is obtained. Also defer calculation of the reference ratio if the first hour of the sample collection period is a “transition hour” (see “Specific Considerations” section below).

For all hours during the sample collection period when valid stack gas flow rate data are available, no more than 5% of the hourly ratios or 5 hourly ratios (whichever is less restrictive) may deviate from the reference ratio by more than $\pm 25\%$. Do not calculate the ratio for hours in which the stack gas flow rate is a substitute data value, or if the average sample flow rate is missing or invalid.

Specific Considerations

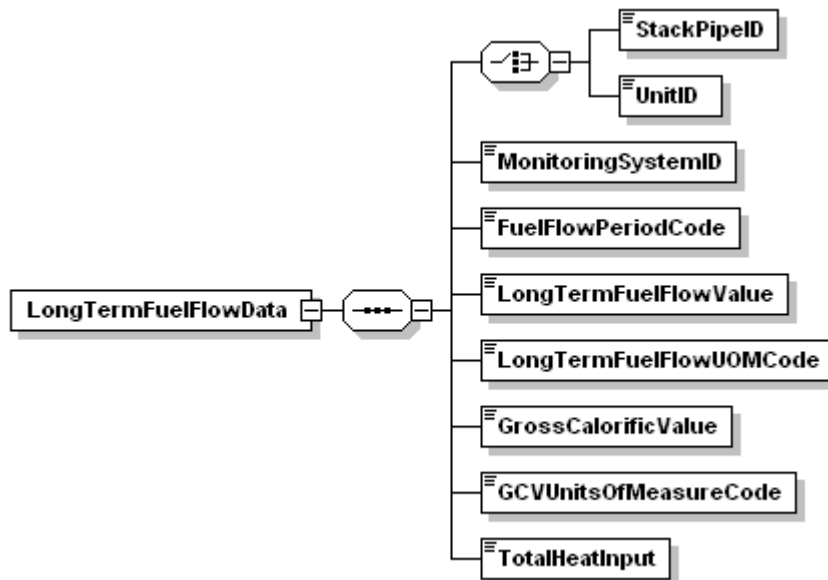
For a “transition hour,” when one pair of sorbent traps is removed from service and a new pair of traps is placed in service, note the following instructions:

- Report the hourly GFM reading, average hourly sampling rate, and sampling rate UOM, for the pair of traps removed from service in the hour.
- Calculate the hourly SFSR ratio for the “old” pair of traps that are removed from service, by taking the ratio of the hourly average stack gas flow rate (even though the pair of traps was used for only part of the hour) to the average sample flow rate for the part of the hour in which the old pair of traps was in operation.
- For the “new” pair of traps that is placed into service, do not use data recorded during the transition hour to calculate the SFSR reference ratio, even though the transition hour is the first hour in the sample collection period. Rather, calculate the SFSR reference ratio for the new pair of traps in the next hour in the sample collection period.

2.7 Long Term Fuel Flow Data

Long Term Fuel Flow Data XML Model

Figure 19: Long Term Fuel Flow Data XML Elements



Long Term Fuel Flow Data Overview

If you have a qualifying low mass emissions (LME) unit or group of units and use a long term fuel flow system to measure oil or gas to calculate heat input, report a LONG TERM FUEL FLOW DATA record for each long term oil (LTOL) monitoring system and each long term gas (LTGS) monitoring system used during the quarter or reporting period.

For a group of LME units served by a common pipe (or supply tank), you must define a LTOL or LTGS monitoring system in the monitoring plan for the pipe or tank. In both cases (i.e., for common pipe or tank), the pipe or tank ID number must begin with a “CP” prefix (e.g., CP001). If two or more common pipes or tanks of *different* fuel types supply the same group of LME units, you must define a separate LTOL or LTGS system for each pipe or tank. If two or more pipes or tanks supply the same type of fuel to a group of LME units, you may represent it as a single LTOL or LTGS system.

Long Term Fuel Flow Data XML Elements

Unit ID or Stack Pipe ID (*UnitID* or *StackPipeID*)

Report either the Unit ID or Stack Pipe ID for the long term fuel flow location. This is the alphanumeric code assigned by a source to identify a unit, stack, or pipe.

Monitoring System ID (*MonitoringSystemID*)

Report the monitoring system ID, either LTOL or LTGS, for the long term fuel flow (LTFF) system.

Fuel Flow Period Code (*FuelFlowPeriodCode*)

If this location is subject to an ozone season program and this is a second quarter emissions file, report either “A” to indicate that this record contains long term fuel flow for the month of April, or “MJ” to indicate that this record contains long term fuel flow for May and June. Otherwise, leave this field blank.

LTFF Value (*LongTermFuelFlowValue*)

Report the total fuel flow recorded for the quarter, reporting period, or fuel flow period to zero decimal places. If you measure in units other than gallons, pounds or standard cubic feet, convert the reading to allowable units by using conversion equations.

Instructions for Using Billing Records

- If you have daily billing records, then use the daily fuel usage to apportion the fuel flow on a daily basis to hours within the ozone season or quarter beginning on the first operating day of the ozone season or quarter and ending on the last operating day of the ozone season or quarter.

Example 1. If a billing period starts on June 15 and ends on July 16 and the bill includes daily usage, use the daily quantities to determine which fuel was combusted during June (attributed to the second quarter) and which fuel was combusted during July (attributed to the third quarter).

- If the bill does not specify daily fuel usage, apportion fuel based on unit output, as reported in the OPERATING HOUR DATA record.

Example 2. If the billing period starts on June 15 and ends on July 16, and the bill only has total fuel combusted during the period, apportion the fuel into June and July based on the unit output for the billing period. Thus, if 75 percent of the unit output between June 15 and July 16 occurred during June, then apportion 75 percent of the total fuel into June and 25 percent into July.

- It is the responsibility of the owner/operator to obtain all necessary billing records in time to ensure timely quarterly report submissions.

Instructions for Using Tank Drop Measurements

- For year-round reporting, measure the tank volume (the beginning and ending LTFF measurement) within no more than 48 hours of the beginning or end of a quarter.

Example 3. If you measure the level of oil in a tank on December 30 or 31 or on January 1 or 2, use this measurement (compared to the baseline value at the beginning of the quarter) to calculate the amount of fuel combusted during the quarter (even if the measurement was taken in January). Use this measurement as the baseline for determining the amount of fuel combusted during the next quarter. When apportioning heat input based on unit output only, use output from the beginning and end of the quarter, not the output corresponding to the beginning and end of the actual measurement period.

- Perform as many measurements as necessary to accurately determine fuel usage during the measurement period. The Agency recommends performing measurements before and after fuel is added to a tank unless you know the exact volume of fuel added to the tank.

- If a unit operated for only a very short period or used only a very limited amount of fuel during a quarter or reporting period so that a tank drop measurement will not yield an accurate estimate of the fuel combusted during the quarter, use the unit's maximum rated heat input for each hour of operation during that quarter. Report a method of determination code (MODC) of "45" in the DERIVED HOURLY VALUE DATA (DHV) record for Total Heat Input (HIT) for each hour.

Instructions for Using Certified Fuel Flowmeters

- When a certified Appendix D fuel flowmeter is used for long term fuel flow purposes, you are required to record hourly fuel flow rates. You must also submit MONITORING SYSTEM FUEL FLOW DATA in the monitoring plan and must submit the results of all periodic fuel flowmeter quality assurance tests. However, reporting of hourly fuel flow rate information is not required. Therefore, do not report HOURLY FUEL FLOW DATA (HFF) records for LME units.
- Use the recorded hourly fuel flow rates, fuel usage times (if available), and the density of the fuel (if needed) to determine the total mass or volume (as applicable) of each type of fuel combusted during the reporting period. Then, use Equation LM-2 or LM-3 in §75.19, as appropriate, to calculate the heat input from each type of fuel combusted during the reporting period. Add together all of the reporting period heat input values for all fuels, according to Equation LM-4. Then, apportion the total heat input for the reporting period to each operating hour in the period, using Equations LM-5 through LM-8A (as applicable) replacing the term "quarter" with the term "reporting period."
- When calculating the total mass or volume of fuel combusted, if hourly fuel usage times are not available, use a value of 1.00 for each operating hour in the reporting period.
- If any fuel flowmeter data are missing for any hour(s) in the reporting period, you must provide substitute data for those hours, using either: (1) the load-based missing data procedures in Appendix D (if these procedures are programmed in the Data Acquisition and Handling System (DAHS)); or (2) the maximum system fuel flow rate in MONITORING SYSTEM FUEL FLOW DATA record).

Long Term Fuel Flow UOM Code (*LongTermFuelFlowUOMCode*)

Report the units of measure in which you are reporting fuel flow using one of the following uppercase codes in Table 43.

Table 43: Long Term Fuel Flow UOM Code

| Code | Description |
|------|---------------------------|
| GAL | Gallons (oil) |
| LB | Pounds (oil) |
| SCF | Standard Cubic Feet (gas) |

Gross Calorific Value (*GrossCalorificValue*)

Report the heat content or gross calorific value (GCV) of the fuel from Table LM-5 of §75.19 or the highest GCV recorded in the previous calendar year from fuel sampling and analysis

according to the procedures of Appendix D to Part 75. If you measure in units other than those listed below, convert to an allowable unit by using appropriate conversion equations. Report the value to one decimal place.

GCV Units of Measure Code (*GCVUnitsofMeasureCode*)

Report the units of measure for GCV using one of the uppercase codes in Table 44.

Table 44: GCV Units of Measure Code

| Code | Description |
|--------|-----------------------------|
| BTUGAL | Btu per Gallon |
| BTULB | Btu per Pound |
| BTUSCF | Btu per Standard Cubic Feet |

Total Heat Input (*TotalHeatInput*)

Calculate and report the total heat input (mmBtu) measured by the LTFF system for the quarter or reporting period using the appropriate heat input formula from §75.19 (e.g., LM-2, LM-3). Report the value to zero decimal places.

Specific Considerations

- If this system is the only LTFF system used for the unit or group of units, apportion this heat input to the unit operating hours in the quarter (or reporting period) using the appropriate equation in §75.19. If two or more LTFF systems are used during the quarter or reporting period, sum the total heat input values from all systems before apportioning heat input to the unit operating hours.
- For a single LME unit which is not part of a group of LME units, the total heat input values for all LTFF systems used during the quarter must equal the quarterly unit heat input value reported in the SUMMARY VALUE DATA record.
- For a group of LME units served by one or more common pipes or tanks, you must report both LTFF and SUMMARY VALUE DATA records under each common pipe (or tank) ID number. For each common pipe or tank ID, the total heat input reported in the LTFF record(s) must equal the quarterly heat input reported in the SUMMARY VALUE DATA record.
- For any hour during which the unit is burning a secondary fuel that is not measured by a long term fuel flow system, you must calculate the total heat input for the hour using the maximum rated hourly heat input rate for the unit. Report an MODC of “45” in the DHV record for (HIT) for the hour.
- If a unit (or group of units linked to a common pipe) using LTFF to determine heat input burns fuel, but does not generate any load during the reporting period, apportion the total heat input based on operating time instead of load using the appropriate equation in §75.19.

2.8 Sorbent Trap Data

Sorbent Trap Data Overview

Report a SORBENT TRAP DATA record for each sorbent trap sampling period that begins inside the current calendar quarter.

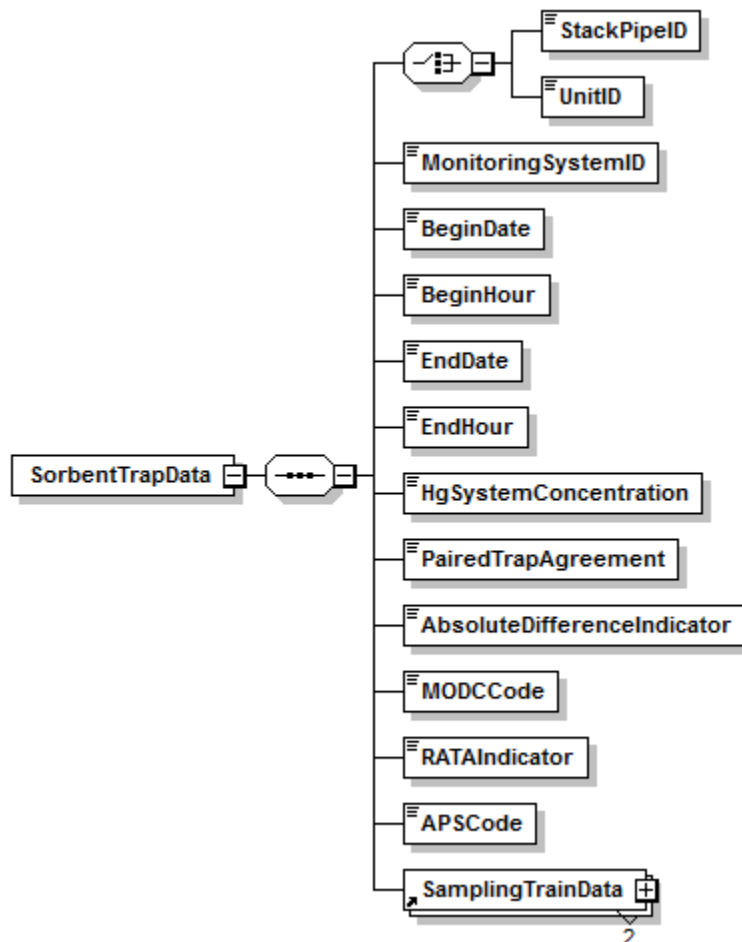
To the extent practicable, time the sample collection periods so that they do not cross quarter boundaries. However, if a sample collection period does extend into the next quarter:

- Be sure to end it early enough to obtain and process the results before the deadline for submitting the emissions report for the current quarter; and
- Include it in the emissions report for the current quarter, even though its end date is in the next quarter.

Report all relevant hourly MHV and MMHV records for each sample collection period (i.e., records of Hg concentration and all auxiliary parameters needed to convert Hg concentration to the units of the applicable emission standard).

Sorbent Trap Data XML Model

Figure 20: Sorbent Trap Data XML Elements



Sorbent Trap Data XML Elements

Unit ID or Stack Pipe ID (*UnitID* or *StackPipeID*)

Report either the Unit ID or Stack Pipe ID (i.e., the monitoring location). This is the alphanumeric code assigned by a source to identify a unit, stack, or pipe.

Monitoring System ID (*MonitoringSystemID*)

Report the monitoring system ID for the sorbent trap monitoring system represented by this record.

Begin Date (*BeginDate*)

Report the date that the sample collection period began.

Begin Hour (*BeginHour*)

Report the hour that the sample collection period began.

End Date (*EndDate*)

Report the date that the sample collection period ended. This date could be in the next calendar quarter.

End Hour (*EndHour*)

Report the last hour of the sample collection period.

HgSystemConcentration (*HgSystemConcentration*)

Determine the quality-assured, unadjusted Hg concentration for the monitoring system ($\mu\text{g}/\text{scm}$), as follows:

If the QA Status Code (from section 2.8.1) is “PASSED” for both sampling train (“STRAIN”) components of the system and the relative deviation (RD) criterion is also met, then average the measured Hg concentrations from the two components arithmetically and report the result using one leading non-zero digit and one decimal place, expressed in scientific notation. For data prior to September 9, 2020, report the result rounded to three significant figures.

If the QA Status Code is “PASSED” for one of the STRAIN components and “FAILED” or “LOST” for the other, multiply the Hg concentration obtained with the passing component by 1.111 and report the result using one leading non-zero digit and one decimal place, expressed in scientific notation. For data prior to September 9, 2020, report the result rounded to three significant figures.

If the QA Status Code for both trains is “UNCERTAIN” (indicating that all QA/QC criteria were met for both STRAIN components, but the relative deviation (RD) criterion was not met), you may either invalidate the data or report the higher of the two measured Hg concentrations using one leading non-zero digit and one decimal place, expressed in scientific notation. For data prior to September 9, 2020, report the result rounded to three significant figures.

Report the Hg System Concentration in a MMHV record, for each hour of the sample collection period (see “Specific Considerations” in section 2.6.1.1). Report each concentration value to using scientific notation, keeping only one leading non-zero digit to the left of the decimal point and one decimal place, with the “E” capitalized and no spaces in between the characters. For

example, if the Hg concentration is 0.159 $\mu\text{g}/\text{scm}$, report 1.6E-1. Do not use “plus” characters after the “E” when reporting concentrations greater than or equal to one. For example, if the Hg concentration is 1.59 $\mu\text{g}/\text{scm}$, report 1.6E0. For data prior to September 9, 2020, report the Hg concentration value to three significant figures, using scientific notation. For example, if the Hg concentration is 0.159 $\mu\text{g}/\text{scm}$, report 1.59E-1.

Leave this field blank if a quality-assured Hg concentration for the sample collection period is not available. The Hg concentration is considered to be unavailable if:

- The QA Status Code is “EXPIRED” or “INC” for either or both STRAIN components;
- The QA Status Code is “FAILED” or “LOST” for both STRAIN components;
- The QA Status Code for both STRAIN components is “UNCERTAIN” and you elect to invalidate the data; or
- If the flue gases are routed through an unmonitored bypass stack and the Hg concentration is not measured.

Paired Trap Agreement (*PairedTrapAgreement*)

Report either the relative deviation (RD) or absolute difference between Traps “a” and “b,” rounded to two decimal places. Calculate the RD using Equation 12B-7 in Performance Specification 12B.

Leave this field blank if:

- The QA Status Code is “EXPIRED,” “FAILED,” or “INC” for either or both STRAIN components;
- The QA Status Code is “LOST” for both trains; or
- If the flue gases are routed through an unmonitored bypass stack and the Hg concentration is not measured.

Absolute Difference Indicator (*AbsoluteDifferenceIndicator*)

If the paired trap difference is determined based on the relative deviation, report “0.” If the absolute difference is used, report “1.”

Leave this field blank if PairedTrapAgreement is also left blank for any of the reasons detailed above.

MODC Code (*MODCCode*)

Report the method of determination code (MODC) from Table 45 for the hourly Hg concentration.

The QA Status Codes from section 2.8.1 are used to determine the appropriate MODC, as follows:

Report a MODC of “01” (or “02” for a backup monitoring system) if the QA Status Code for both STRAIN components is “PASSED.” Report this same MODC in a MMHV record for each hour of the sample collection period (see section 2.6.1.1).

Report a MODC of “32” if the QA Status Code is “PASSED” for one of the STRAIN components and “FAILED” or “LOST” for the other. Report this same MODC in a MMHV record for each hour of the sample collection period.

Report a MODC of “33” if the QA Status Code for both STRAIN components is “UNCERTAIN” and you elect to report the higher of the two Hg concentrations. Report this same MODC in a MMHV record for each hour of the sample collection period.

Report a MODC of “34” if:

- The QA Status Code is “EXPIRED” or “INC” for either or both STRAIN components;
- The QA Status Code is “FAILED” or “LOST” for both STRAIN components; or
- The QA Status code for both STRAIN components is “UNCERTAIN” and you elect to invalidate the data.

When MODC “34” is reported in this field, also report MODC “34” in a MMHV record for each hour of the sample collection period and report MODC “38” in a MDHV record for each hour of the sample collection period (see section 2.6.2.1).

Report MODC “35” in this field if the flue gases are routed through an unmonitored bypass stack and the Hg concentration is not measured. Report this same MODC in a MMHV record and report MODC “38” in a MDHV record, for each hour of the sample collection period (see section 2.6.2.1).

Report a MODC of “43” if the QA Status Code for both STRAIN components is “PASSED” and the method detection level is reported as the measured emissions level for the sorbent trap (see 63.10007(e)(1)). Report this same MODC in a MMHV record, and report MODC “36” in a MDHV record, for each hour of the sample collection period (see section 2.6.1.1).

Report a MODC of “44” in this field if one trap in a paired train meets the criteria to report the method detection level and the QA Status Code is “FAILED” or “LOST” for the other STRAIN component. (see 63.10007(e)(1)). Report this same MODC in a MMHV record for each hour of the sample collection period, and report MODC “36” in a MDHV record for each hour of the sample collection period (see section 2.6.2.1).

Table 45: MODC Codes for Sorbent Trap Data

| Code | Description |
|-------------|---|
| 01 | Primary Monitoring System (and Primary Bypass (PB)) |
| 02 | Redundant Backup or Regular Non-Redundant Backup Monitoring System |
| 32 | Hourly Hg concentration determined from analysis of a single sorbent trap multiplied by a factor of 1.111 |
| 33 | Hourly Hg concentration determined from the sorbent trap with the higher Hg concentration (relative deviation criterion for the paired traps is not met) |
| 34 | Hourly Hg concentration is missing or invalid |
| 35 | Hourly Hg concentration not monitored (flue gases routed through an unmonitored bypass stack) |
| 43 | Hourly Hg concentration reported as method detection level when the sorbent trap concentration reading is below the method defined analytical detection level (see 63.10007(e)(1)) |
| 44 | Hourly Hg concentration determined from analysis of a single sorbent trap which reports the method detection level, multiplied by a factor of 1.111 in cases where the other trap was accidentally lost, damaged, or broken and could not be analyzed |

RATAIndicator (*RATAIndicator*)

If the pair of traps were used as part of a set of RATA runs which were not long enough to collect a Reference SFSR Ratio, report the code "1." For all other traps leave this field blank.

APSCode (*APSCode*)

If the pair of traps were used as part of a RATA run and meet the alternative performance specifications of PS12B, report the code "RATA." For all other traps leave this field blank.

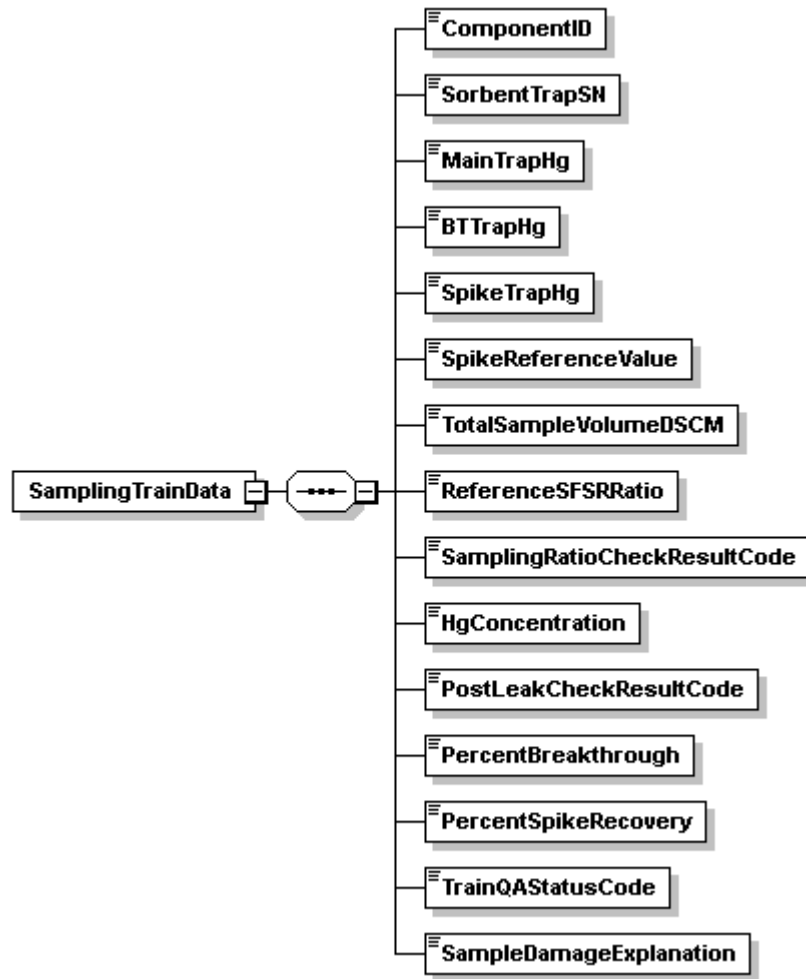
2.8.1 Sampling Train Data

Sampling Train Data Overview

For each SORBENT TRAP DATA record, submit two SAMPLING TRAIN DATA records, i.e., one for each sampling train (“STRAIN”) component of the sorbent trap monitoring system.

Sampling Train Data XML Model

Figure 21: Sampling Train Data XML Elements



Sampling Train Data XML Elements

Component ID (*ComponentID*)

Report the STRAIN component ID.

Sorbent Trap SN (*SorbentTrapSN*)

Report the serial (ID) number of sorbent trap associated with the STRAIN component.

Main Trap Hg (*MainTrapHg*)

Report the mass of Hg recovered from the main collection section (Section 1) of the sorbent trap, in micrograms (μg) using scientific notation. For example, “0.0144 μg ” should be reported as “1.4E-2.” The “E” must be capitalized, and the field must not contain spaces in between the characters. Do not use “plus” characters after the “E” when reporting concentrations greater than or equal to one. For example, “1.44 μg ” should be reported as “1.4E0.” Report only one leading non-zero digit to the left of the decimal point, and one digit after the decimal point. For data prior to September 9, 2020, report the mass in scientific notation rounded to three significant figures. For example, if the mass of Hg is 0.159 $\mu\text{g}/\text{scm}$, report 1.59E-1.

Leave this field blank if the sample was accidentally lost, damaged, or broken and could not be analyzed, if the sample gas flow meter was “out-of-control,” or if the sample gas volume reading for the initial or final hour of the sample collection period was missing or invalid.

BT Trap Hg (*BTTrapHg*)

Report the mass of Hg recovered from the breakthrough section (Section 2) of the sorbent trap, in micrograms (μg) using scientific notation. For example, “0.0144 μg ” should be reported as “1.4E-2.” The “E” must be capitalized, and the field must not contain spaces in between the characters. Do not use “plus” characters after the “E” when reporting concentrations greater than or equal to one. For example, “1.44 μg ” should be reported as “1.4E0.” Report only one leading non-zero digit to the left of the decimal point, and one digit after the decimal point. For data prior to September 9, 2020, report the mass in scientific notation rounded to three significant figures. For example, if the mass of Hg is 0.159 $\mu\text{g}/\text{scm}$, report 1.59E-1.

Leave this field blank if the sample was accidentally lost, damaged, or broken and could not be analyzed, if the sample gas flow meter was “out-of-control,” or if the sample gas volume reading for the initial or final hour of the sample collection period was missing or invalid.

Spike Trap Hg (*SpikeTrapHg*)

Report the mass of Hg recovered from the spiked section (Section 3) of the sorbent trap, in micrograms (μg) using scientific notation. For example, “0.0144 μg ” should be reported as “1.4E-2.” The “E” must be capitalized and the field must not contain spaces in between the characters. Do not use “plus” characters after the “E” when reporting concentrations greater than or equal to one. For example, “1.44 μg ” should be reported as “1.4E0.” Report only one leading non-zero digit to the left of the decimal point, and one digit after the decimal point. For data prior to September 9, 2020, report the mass in scientific notation rounded to three significant figures. For example, if the mass of Hg is 0.159 $\mu\text{g}/\text{scm}$, report 1.59E-1.

Leave this field blank if the sample was accidentally lost, damaged, or broken and could not be analyzed, if the sample gas flow meter was “out-of-control,” or if the sample gas volume reading for the initial or final hour of the sample collection period was missing or invalid.

Spike Reference Value (*SpikeReferenceValue*)

Report the mass of the pre-sampling Hg spike in micrograms (μg), calculated according to Equation 12B-1 in Performance Specification 12B using scientific notation. For example, “0.0144 μg ” should be reported as “1.4E-2.” The “E” must be capitalized, and the field must not contain spaces in between the characters. Do not use “plus” characters after the “E” when reporting concentrations greater than or equal to one. For example, “1.44 μg ” should be reported as “1.4E0.” Report only one leading non-zero digit to the left of the decimal point, and one digit

after the decimal point. For data prior to September 9, 2020, report the mass in scientific notation rounded to three significant figures. For example, if the mass of Hg is 0.159 $\mu\text{g}/\text{scm}$, report 1.59E-1.

Leave this field blank if the sample was accidentally lost, damaged, or broken and could not be analyzed, if the sample gas flow meter was “out-of-control,” or if the sample gas volume reading for the initial or final hour of the sample collection period was missing or invalid.

Total Sample Volume DSCM (*TotalSampleVolumeDSCM*)

Report the total volume of dry gas metered, in dry standard cubic meters (dscm), rounded to two to four decimal places.

Leave this field blank if the sample was accidentally lost, damaged, or broken and could not be analyzed, if the sample gas flow meter was “out-of-control,” or if the sample gas volume reading for the initial or final hour of the sample collection period was missing or invalid.

Reference SFSR Ratio (*ReferenceSFSRRatio*)

From the data recorded in the first hour of the sample collection period, determine the reference ratio of the unadjusted hourly stack gas volumetric flow rate to the average sample flow rate (i.e., the “SFSR” Ratio), according to Equation 12B-2 in Performance Specification 12B. Report the Reference SFSR Ratio as a number between 1 and 100 rounded to one decimal place.

If the stack gas flow rate in the first hour of the sample collection period is a substitute data value, defer calculation of the reference ratio until a quality-assured hourly stack gas flow rate is obtained. Also, if the first hour of the sample collection period is a “transition hour” (i.e., an operating hour in which one pair of sorbent traps is removed from service and a second pair of traps is placed in service), defer calculation of the reference SFSR ratio for the “new” pair of traps until the next hour of the sample collection period.

Maintain the SFSR ratio within $\pm 25\%$ of the reference ratio for each subsequent hour of the sample collection period (see Table 12B-1 of Performance Specification 12B). However, do not calculate the ratio for hours in which the stack gas flow rate is a substitute data value or if the average sample flow rate is missing or invalid. For a discussion of how to report the hourly SFSR ratio during transition hours, see the “Specific Considerations” in section 2.6.4.

Leave this field blank if the sample was accidentally lost, damaged, or broken and could not be analyzed, if the sample gas flow meter was “out-of-control,” or if the sample gas volume reading for the initial or final hour of the sample collection period was missing or invalid.

Sampling Ratio Check Result Code (*SamplingRatioCheckResultCode*)

Based on the criterion in Table 12B-1 of Performance Specification 12B, report the appropriate code from Table 46 to indicate whether the ratio of the stack gas flow rate to the sampling rate was maintained within the required percentage, as follows:

Table 46: Sampling Ratio Check Result Codes and Descriptions

| Code | Description |
|--------|---|
| PASSED | Test was passed. The hourly ratio was maintained within 25% of the reference ratio throughout the sample collection period. |
| FAILED | Test was failed. The hourly ratio was not maintained within 25% of the reference ratio throughout the sample collection period. |

Leave this field blank if the sample was accidentally lost, damaged, or broken and could not be analyzed, if the sample gas flow meter was “out-of-control,” or if the sample gas volume reading for the initial or final hour of the sample collection period was missing or invalid.

Hg Concentration (*HgConcentration*)

Report the Hg concentration determined from the total Hg catch (sum of the mass collected in sections 1 and 2 of the sorbent trap) and the total volume of dry gas metered. Use Equation 12B-6 in Performance Specification 12B to calculate the Hg concentration in $\mu\text{g}/\text{scm}$ using scientific notation. For example, if the Hg concentration is $0.0245 \mu\text{g}/\text{scm}$, report 2.5E-2. The “E” must be capitalized, and the field must not contain spaces in between the characters. Do not use “plus” characters after the “E” when reporting concentrations greater than or equal to one. For example, if the Hg concentration is $2.45 \mu\text{g}/\text{scm}$, report 2.5E0. Report only one leading non-zero digit to the left of the decimal point, and one digit after the decimal point. For data prior to September 9, 2020, report the mass in scientific notation rounded to three significant figures. For example, if the Hg concentration is $0.159 \mu\text{g}/\text{scm}$, report 1.59E-1.

Leave this field blank if the sample was accidentally lost, damaged, or broken and could not be analyzed, if the sample gas flow meter was “out-of-control,” or if the sample gas volume reading for the initial or final hour of the sample collection period was missing or invalid.

Post Leak Check Result Code (*PostLeakCheckResultCode*)

Report the results of the post-test leak check conducted at the end of the sample collection period. If the post-test leak check is passed, report “PASSED,” if the leak check is failed, report “FAILED.”

Leave this field blank if the sample was accidentally lost, damaged, or broken and could not be analyzed, if the sample gas flow meter was “out-of-control,” or if the sample gas volume reading for the initial or final hour of the sample collection period was missing or invalid.

Percent Breakthrough (*PercentBreakthrough*)

Report the percent breakthrough, calculated according to Equation 12B-5 in Performance Specification 12B.

Leave this field blank if the sample was accidentally lost, damaged, or broken and could not be analyzed, if the sample gas flow meter was “out-of-control,” if the measured Hg concentration is not less than 10% of the Hg limit equivalent concentration, or if the sample gas volume reading for the initial or final hour of the sample collection period was missing or invalid.

Percent Spike Recovery (*PercentSpikeRecovery*)

Report the percent spike recovery, calculated according to Equation 12B-4 in Performance Specification 12B, rounded to one decimal place.

Leave this field blank if the sample was accidentally lost, damaged, or broken and could not be analyzed, if the sample gas flow meter was “out-of-control,” or if the sample gas volume reading for the initial or final hour of the sample collection period was missing or invalid.

Train QA Status Code (*TrainQAStatusCode*)

Report the appropriate code from Table 47 below to indicate the QA status of this sampling train.

Table 47: Train QA Status Codes and Descriptions

| Code | Description |
|-----------|---|
| PASSED | The post-monitoring leak check, % breakthrough, stack flow-to-sample flow ratio, and % spike recovery criteria in PS 12B were all met, and the QA status of the sample flow meter was “in control.” |
| FAILED | The QA status of the sample flow meter was “in control,” but at least one of the following four QA/QC criteria in PS 12B was <u>not</u> met: the post-monitoring leak check; % breakthrough; stack flow-to-sample flow ratio; or % spike recovery. |
| INC | Gas Flow Meter data are incomplete (missing or invalid for the beginning or ending hour of the sample collection period) |
| EXPIRED | Required QA (calibration) was not performed on the sample flow meter component. The QA status of the flow meter is “out-of-control.” |
| LOST | Trap was accidentally lost, damaged, or broken and could not be analyzed |
| UNCERTAIN | The post-monitoring leak check, % breakthrough, stack flow-to-sample flow ratio, and % spike recovery criteria in PS 12B were all met, and the QA status of the sample flow meter was “in control.” However, the relative deviation (RD) criterion for the paired traps was not met |

Sample Damage Explanation (*SampleDamageExplanation*)

Whenever the sample is accidentally lost, damaged, or broken and cannot be analyzed (i.e., the Train QA Status Code is “LOST”), provide a brief explanation of the reason why the sample could not be analyzed.

2.9 NSPS Subpart TTTT Compliance Reports

NSPS Subpart TTTT Compliance Reports Overview

If your EGU is subject to the NSPS Greenhouse Gas Rule (40 CFR 60 Subpart TTTT), you must begin submitting quarterly compliance reports, if applicable, after you have accumulated 12 operating months of CO2 emissions data. The initial quarterly report must include the twelfth operating month in the first 12-operating month compliance period.

Each quarterly compliance report must include the applicable information in this section, 2.9. Note that the annual potential and actual energy output and electrical output values are reported only in the report for the fourth calendar quarter.

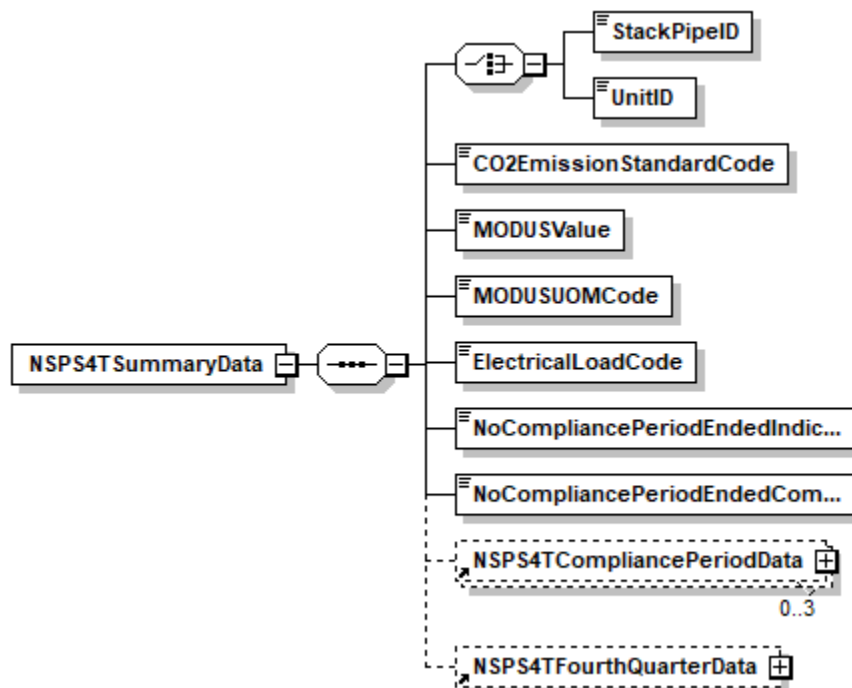
If any month in the calendar quarter is the twelfth operating month in a compliance period, you must also report the applicable information in section 2.9.1 of these instructions for that compliance period.

In the fourth calendar quarter of each year in which you submit quarterly compliance reports, you must also report the applicable information in section 2.9.2 of these instructions.

If your EGU is not subject to the NSPS Greenhouse Gas Rule, do not report any of the data elements in sections 2.9, 2.9.1, or 2.9.2 in your quarterly emissions file.

NSPS Summary Data XML Model

Figure 22: NSPS4T Summary Data XML Elements



NSPS4T Summary Data XML Elements**CO2 Emissions Standard Code (CO2StandardCode)**

Report the code from Table 48, below, which corresponds with the emissions standard from Table 1 or Table 2 of subpart TTTT with which the EGU must comply.

Table 48: CO2 Emissions Standard Codes

| Code | Description |
|-------------|---|
| NEW640 | Newly constructed steam generating unit or integrated gasification combined cycle (IGCC) following the standard in Table 1 of Subpart TTTT: 640 kg CO₂/MWh of gross energy output |
| RCON910 | Reconstructed steam generating unit or IGCC that has base load rating of 2,000 MMBtu/h or less following the standard in Table 1 of Subpart TTTT: 910 kg of CO₂ per MWh of gross energy output |
| RCON820 | Reconstructed steam generating unit or IGCC that has a base load rating greater than 2,000 MMBtu/h following the standard in Table 1 of Subpart TTTT: 820 kg of CO₂ per MWh of gross energy output |
| MODUS | A modified steam generating unit or IGCC using a unit-specific standard that must be: ≥ 820 kg of CO₂/MWh gross, for units with a base load > 2,000 mmBtu/hr or ≥ 910 kg of CO₂/ MWh gross, for units with a base load ≤ 2,000 mmBtu/hr |
| CTOUT | Newly constructed or reconstructed stationary combustion turbine that supplies more than its design efficiency or 50 percent, whichever is less, times its potential electric output as net-electric sales on both a 12-operating month and a 3-year rolling average basis, and combusts more than 90% natural gas on a heat input basis on a 12-operating-month rolling average basis following the standard in Table 2 of Subpart TTTT: 450 kg of CO₂ per MWh of gross energy output |
| CTOLB | Newly constructed or reconstructed stationary combustion turbine that supplies more than its design efficiency or 50 percent, whichever is less, times its potential electric output as net-electric sales on both a 12-operating month and a 3-year rolling average basis, and combusts more than 90% natural gas on a heat input basis on a 12-operating-month rolling average basis following the standard in Table 2 of Subpart TTTT: 1,000 lb of CO₂ per MWh of gross energy output |
| CTOUTNT | Newly constructed or reconstructed stationary combustion turbine that supplies more than its design efficiency or 50 percent, whichever is less, times its potential electric output as net-electric sales on both a 12-operating month and a 3-year rolling average basis, and combusts more than 90% natural gas on a heat input basis on a 12-operating-month rolling average basis following the standard in Table 2 of Subpart TTTT: 470 kg of CO₂ per MWh of net energy output |
| CTOLBNT | Newly constructed or reconstructed stationary combustion turbine that supplies more than its design efficiency or 50 percent, whichever is less, times its potential electric output as net-electric sales on both a 12-operating month and a 3-year rolling average basis, and combusts more than 90% natural gas on a heat input basis on a 12-operating-month rolling average basis following the standard in Table 2 of Subpart TTTT: 1,030 lb of CO₂ per MWh of net energy output |

| Code | Description |
|--------|--|
| CTHING | Newly constructed or reconstructed stationary combustion turbine that supplies its design efficiency or 50 percent, whichever is less, times its potential electric output or less as net-electric sales on either a 12-operating month or a 3-year rolling average basis, and combusts more than 90% natural gas on a heat input basis on a 12-operating-month rolling average basis following the standard in Table 2 of Subpart TTTT: <p style="text-align: center;">120 lb CO₂ /mmBtu</p> |
| CTHIMF | Newly constructed and reconstructed stationary combustion turbine that combusts 90% or less natural gas on a heat input basis on a 12-operating-month rolling average basis, as determined by the procedures in §60.5525 following the standard in Table 2 of Subpart TTTT: <p style="text-align: center;">120 lb CO₂/MMBtu) to 160 lb CO₂/MMBtu</p> |

MODUS Value (*MODUSValue*)

If the EGU is complying with a unit-specific CO₂ emission standard, report the numeric value of the standard. For all other CO₂ emission standards, leave this field blank.

MODUS Units of Measure Code (*MODUSUOMCode*)

Report the units of measure from Table 49, below, which correspond to the unit-specific CO₂ emission standard.

Table 49: CO₂M Emission Rate Units of Measure Code

| Code | Description |
|---------|-------------|
| KGMWH | kg/MWh |
| LBMMBTU | lb/MMBTU |
| LBMWH | lb/MWh |

Electrical Load Code (*ElectricalLoadCode*)

Report a code of either “GROSS” or “NET” to indicate if the energy output values used in compliance determination are based solely upon gross or net electrical load.

No Compliance Period Ended Indicator (*NoCompliancePeriodEndedIndicator*)

Indicate if a compliance period ended in the quarter for which the report is being prepared. Use a “1” for yes and “0” for no.

No Compliance Period Ended Comment (*NoCompliancePeriodEndedComment*)

If there are no compliance periods that end in the quarter for which the report is prepared, include a statement to that effect.

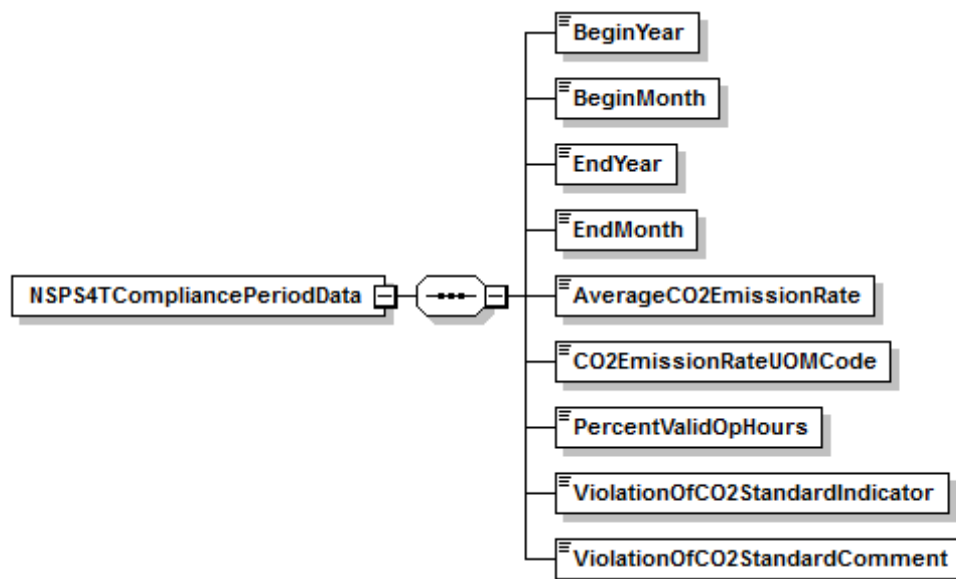
2.9.1 NSPS4T Compliance Period Data

NSPS4T Compliance Period Data Overview

You must report data in the “Compliance Period End” field in each quarterly report. Then, if any month in the calendar quarter is the twelfth operating month in a 12- operating month compliance period, you must report the applicable data elements in this section, 2.9.1, for that compliance period. Do not report these elements if your EGU is not subject to this subpart.

NSPS4T Compliance Period Data XML Model

Figure 23: NSPS4T Compliance Period Data XML Elements



NSPS4T Compliance Period Data XML Elements

Begin Year (*BeginYear*)

Report the year (20xx) in which the first operating month in the compliance period occurred.

Begin Month (*BeginMonth*)

Report the first operating month in the compliance period for which you performed a CO2 mass emissions rate calculation as a numerical value 1-12.

End Year (*EndYear*)

Report the year (20xx) in which the twelfth operating month in the compliance period occurred.

End Month (*EndMonth*)

Report the twelfth operating month in the compliance period for which a CO2 mass emission rate was calculated as a numerical value 1-12.

Average CO2 Emission Rate (*AverageCO2EmissionRate*)

Report the average CO2 mass emissions rate for the compliance period.

CO₂ Emission Rate Units of Measure Code (*CO2EmissionRateUOMCode*)

Indicate the units of measure of the average CO₂ emission rate using the appropriate code from Table 49.

Percent Valid Operating Hours (*PercentValidOpHours*)

Report the percentage of valid operating hours in each 12-month compliance period. If more than one compliance period ends in the quarter, report one PercentValidOpHours for each compliance period.

Violation of CO₂ Standard (*ViolationofCO2StandardIndicator*)

Indicate whether or not the EGU violated the applicable CO₂ emission standard in the compliance period. Report “1” if a violation did occur and “0” if no violation of the standard occurred.

Violation of CO₂ Standard Comment (*ViolationofCO2StandardComment*)

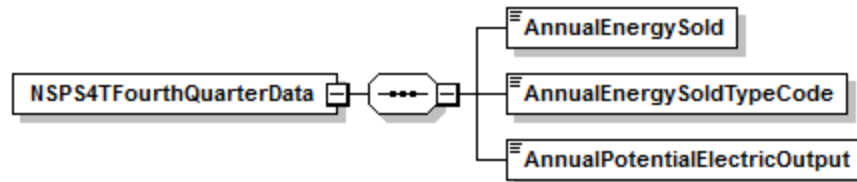
If one or more compliance periods ends in the quarter and there are no violations of the CO₂ emissions standard that occurred for the affected EGU, include a statement indicating this.

2.9.2 NSPS4T Fourth Quarter Data

In the report for the fourth calendar quarter of the year, you must include certain data elements not required in other calendar quarters. Do not report these elements if your EGU is not subject to this subpart.

NSPS4T Fourth Quarter Data XML Model

Figure 24: NSPS4T Fourth Quarter Data XML Elements



NSPS4T Fourth Quarter Data XML Elements

Annual Energy Sold (*AnnualEnergySold*)

In the report for the fourth quarter, report the amount of output sold over the four quarters of the calendar year. Leave this field blank if the report is for any other quarter.

Annual Energy Sold Type Code (*AnnualEnergySoldTypeCode*)

Report a code of either “GROSS” or “NET” to indicate if the annual energy sold to the grid was in terms of gross or net energy for the unit. Leave this field blank if the report is for any other quarter.

Annual Potential Electric Output (*AnnualPotentialElectricOutput*)

In the report for the fourth calendar quarter of each year, report the potential annual electric output of the EGU in the report, in units of megawatt hours (MWh). Leave this field blank for all other quarterly reports.